

Standard elongated hole type

S2 series



Long range detection with a small body

- | Achieves long range detection
- | Flexible mounting hole design
- | Hi-speed response: 0.5 ms

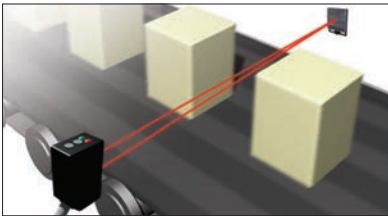
Related products

Laser type
Z-L
● P.272

Transparent object detection
Z3R-Q
● P.404

BGS
BGS-2S
● P.342

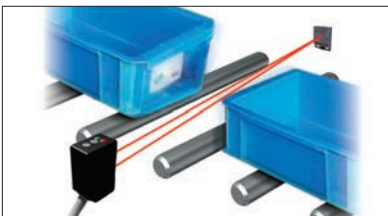
Detection of cardboard passage



Confirmation of wheel passage



Confirmation of plastic container passage



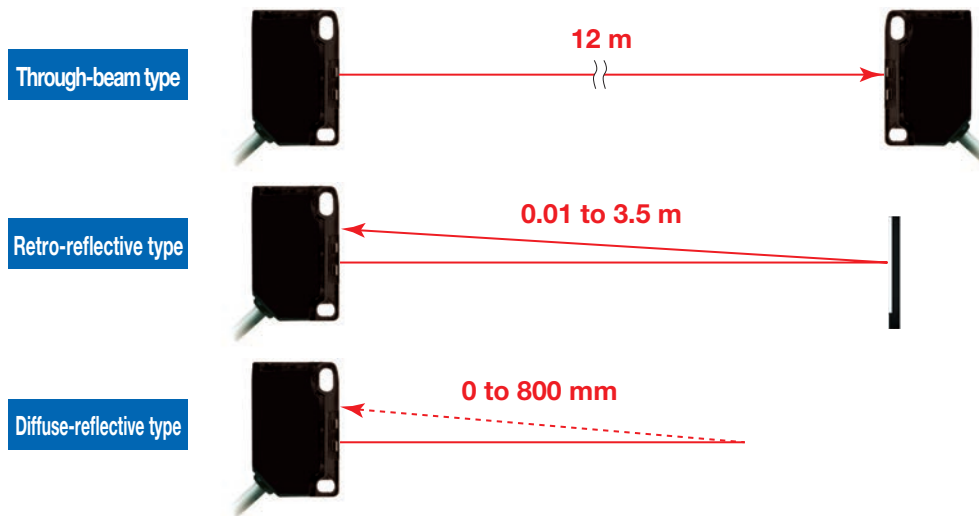
Selection table

Type	Shape	Sensing distance (Adjustable distance range shown in parentheses)	Model (Models in parentheses are connector types)	
			NPN type	PNP type
Through-beam		12 m	S2T-1200N (S2T-1200CN)	S2T-1200P (S2T-1200CP)
Retro-reflective		0.01 to 3.5 m	S2R-350N (S2R-350CN)	S2R-350P (S2R-350CP)
Diffuse-reflective		0 to 800 mm	S2D-80N (S2D-80CN)	S2D-80P (S2D-80CP)
BGS		8 to 100 mm (20 to 100 mm)	BGS-2S10N ● P.342	BGS-2S10P ● P.342
		0 to 150 mm (50 to 150 mm)	BGS-2S15N (BGS-2S15CN) ● P.342	BGS-2S15P (BGS-2S15CP) ● P.342
		5 to 300 mm (25 to 300 mm)	BGS-2S30N (BGS-2S30CN) ● P.342	BGS-2S30P (BGS-2S30CP) ● P.342
		5 to 300 mm (25 to 300 mm)	BGS-2S30NT ● P.342	BGS-2S30PT ● P.342

● For the connector type, please purchase an optional JCN series connector cable.

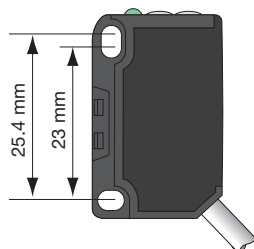
Achieves long range detection

Achieves top class response time for small, general-purpose photoelectric sensors. This feature makes detection in high speed production line possible.



Flexible mounting hole design

Flexible mounting is possible using holes whose pitch was altered during machining or holes that were already made.



Mounting hole pitch:
23 to 25.4 mm

High-speed response

Achieves a response time of 0.5 ms. Can be used on high-speed production lines.

Photoelectric Sensors

Specialized Photoelectric Sensors

Laser Displacement Sensors

Sensors with Built-in Amplifier

Z3

Z-M

Z2

E

J

K

S

S2

C-R

C2

PLN

Options/Accessories

Reflector



Standard (included)
Included with retro-reflective type
V-61
Sensing distance: 3.5 m
60.9 x 50.9 mm



Small type
V-42
Sensing distance: 2 m
42 x 35 mm



Vertical type
P45A
Sensing distance: 1.2 m
54 x 12.4 mm

Sensor stand

Sensor stand
(Image is for flat surface mounting)
PLN-1
For PLN-1
Reflector mounting bracket
PLN-1M



PLN description
● P.242

Protective mounting bracket

- Ultra-durable 2 mm thick type
- Rust-resistant stainless steel
- Sensor is firmly secured using M3 Hex socket head cap screws
- The bracket is also firmly secured using M6 screw



LS2-S01

Connector cables



Straight
JCN-S
Cable length: 2 m
JCN-5S
Cable length: 5 m
JCN-10S
Cable length: 10 m



L-shaped
JCN-L
Cable length: 2 m
JCN-5L
Cable length: 5 m
JCN-10L
Cable length: 10 m

Anti-interference filter

For through-beam type
BL-140-POLF

Slit mask

Slit mask for through-beam type
BL-140
Shipped with two of each slit width (0.5 mm, 1 mm, 2 mm).

Specifications

Type		Through-beam type	Retro-reflective type	Diffuse-reflective type	
Model	NPN	Cable type	S2T-1200N	S2R-350N	S2D-80N
		Connector type	S2T-1200CN	S2R-350CN	S2D-80CN
	PNP	Cable type	S2T-1200P	S2R-350P	S2D-80P
		Connector type	S2T-1200CP	S2R-350CP	S2D-80CP
Sensing distance		12 m	0.01 to 3.5 m ¹	0 to 800 mm ²	
Light source		Red LED			
Smallest detectable object		∅4.5 mm	□ 50 mm	—	
Response time		0.5 ms or less			
Hysteresis		—	—	20% or less	
Distance adjustment		1-turn potentiometer			
Indicators		Output indicator (orange LED), Stability indicator (green LED)			
Control output		NPN/PNP type Open collector Max. 100 mA/30 VDC			
Output mode		Light ON / Dark ON selection switch			
Connection type		Cable type: Cable length: 2 m / Connector type: M8, 4-pin			
Insulation resistance		20 MΩ or more (with 500 VDC)			
Rating	Supply voltage	10 to 30 VDC, including 10% ripple (p-p)			
	Current consumption	Emitter: 20 mA or less Receiver: 15 mA or less	20 mA or less		
Applicable regulations		EMC directive (2004/108/EC)			
Applicable standards		EN 60947-5-2			
Company standards		Noise resistance: Feilen Level 3 cleared			
Environmental resistance	Ambient temperature/humidity	-25 to +55°C (no freezing) / 35 to 85% RH (no condensation)			
	Ambient illuminance	Sunlight: 10,000 lx Incandescent lamp: 3,000 lx			
	Vibration resistance	10 to 55 Hz; double amplitude 1.5 mm; 2 hours in each of the X, Y, and Z directions			
	Shock resistance	Approx. 50 G (500 m/s ²); 3 times in each of the X, Y, and Z directions			
Degree of protection		IEC standard, IP67			
Material		Housing: PBT (glass fiber filled), Front cover: Polycarbonate (retro-reflective type is PMMA)			
Weight without cable		Emitter / Receiver: Both 7 g	Approx. 9 g		
Included accessories		Mounting bracket: BEF-W140-B	Mounting bracket: BEF-W140-B Reflector: V-61	Mounting bracket: BEF-W140-B	

● Specifications are subject to change without prior notice for product improvement purposes.

*1. With the V-61 reflector

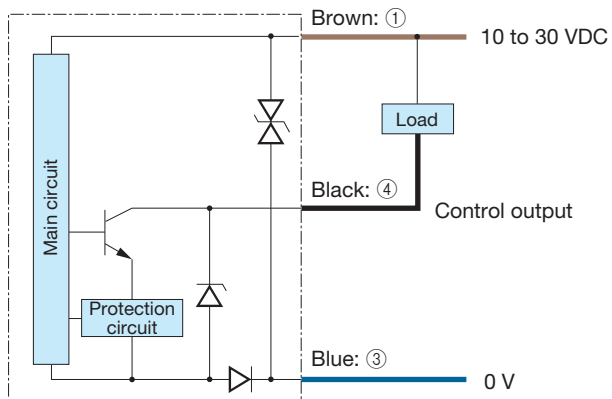
*2. Using a 100 × 100 mm white sheet of paper.

Distance adjustment

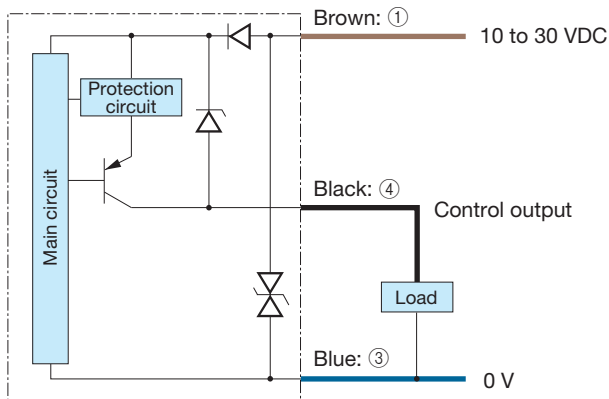
Diffuse type	Order	Diagram	Potentiometer	Output indicator (orange)	Adjustment procedure
	1			Lit (Green) Lit (Orange)	Set the object for detection in the detection position and gradually raise the sensitivity adjustment potentiometer from the minimum to position A where the indicator will light up.
	2			Lit (Green) Not lit (Orange)	Remove the object for detection and gradually lower the sensitivity adjustment potentiometer from the maximum to position B where the orange indicator will go out.
	3			Lit (Green) Lit (Orange)	Position C between positions A and B is the optimal position for sensitivity. Positions A and B may be reversed depending on the model and the detection conditions. Place the workpiece in a fixed position and perform an operational check.

Output circuit diagram

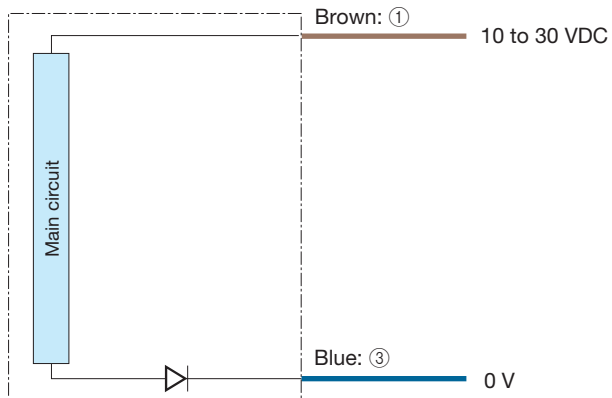
■ NPN output type



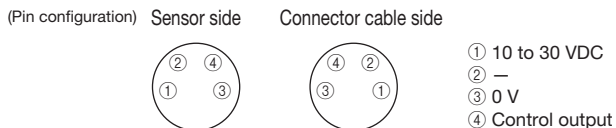
■ PNP output type



■ Through-beam type emitter



■ Connector type

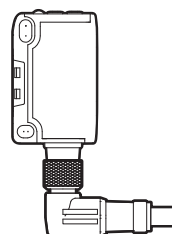


Connecting

■ 1 to 4 are connector pin No.

Notes

- When using a switching regulator for the power supply, be sure to ground the frame ground terminal.
- Avoid wiring in parallel with or in the same piping as high-voltage wires or power lines. Doing so may lead to malfunctions caused by noise. Also, shorten the power supply and signal wires as much as possible.
- Avoid using the transient state while the power is on (approx. 100 ms).
- The connector direction is fixed as in the drawing below when you use L-shaped connector cable. Be aware that rotation is not possible.

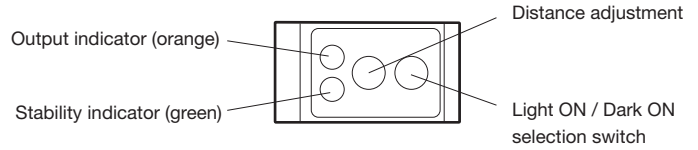


Dimensions

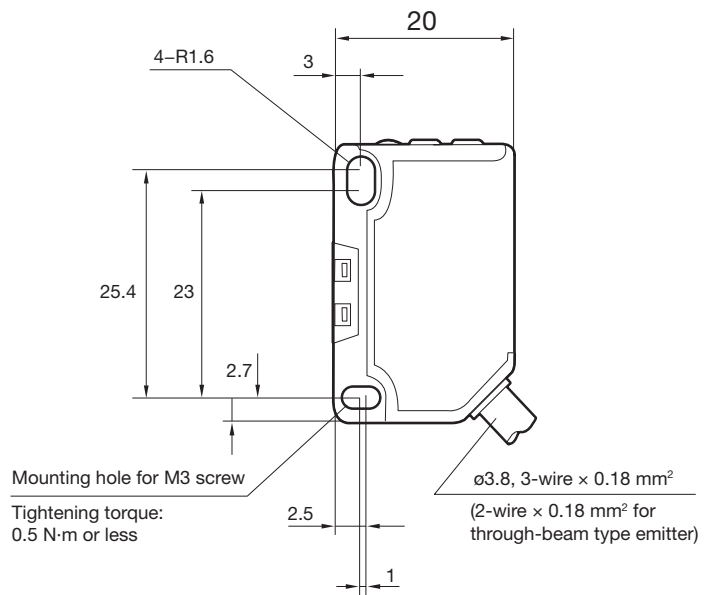
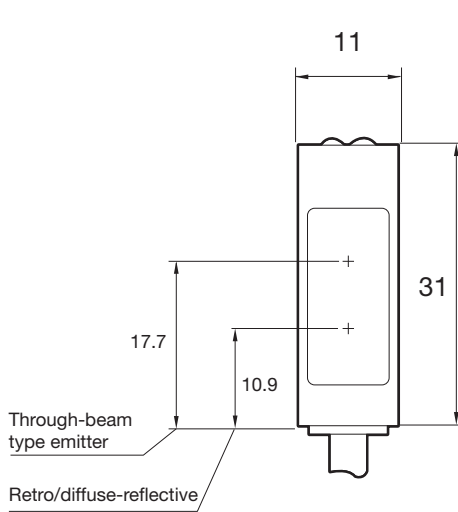
Sensor

■ Cable type

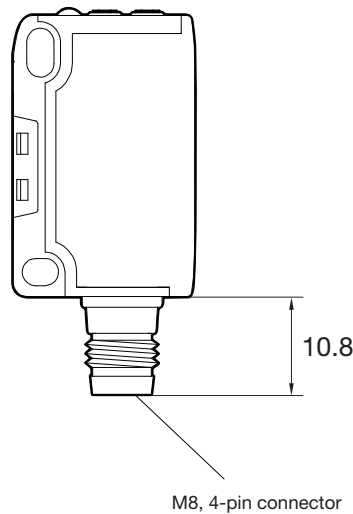
(Unit: mm)



*Through-beam type emitter is not equipped with indicators, potentiometers, or switches.



■ Connector type

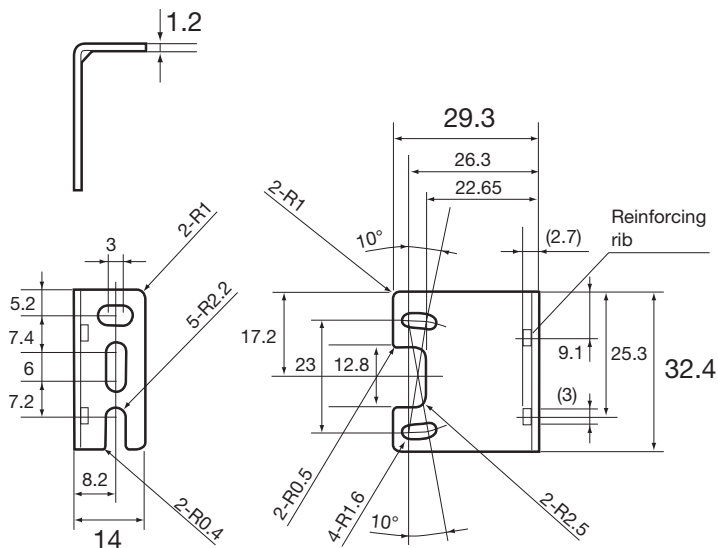
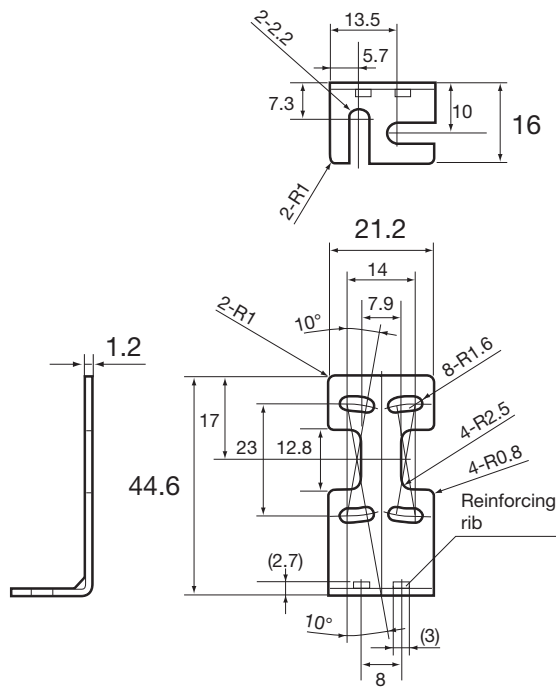


(Unit: mm)

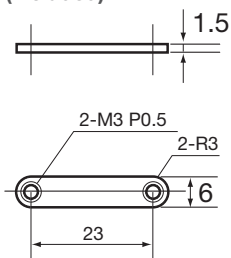
Mounting bracket

■ BEF-W140-B (included with sensor)

■ BEF-W140-A (optional)



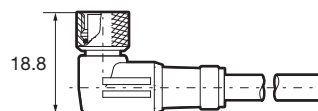
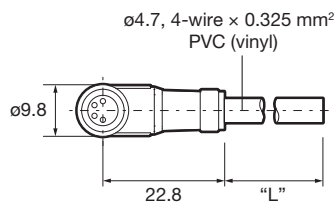
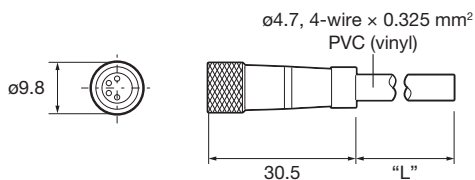
■ Nut plate (included)



Connector cable (optional)

■ JCN-S, JCN-5S, JCN-10S

■ JCN-L, JCN-5L, JCN-10L



Photoelectric Sensors

Specialized Photoelectric Sensors

Laser Displacement Sensors

Sensors with Built-in Amplifier

Z3

Z-M

Z2

E

J

K

S

S2

C-R

C2

PLN

Standard elongated hole type **S2** series

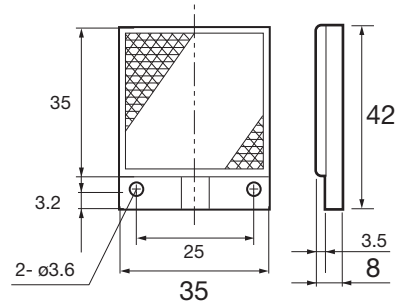
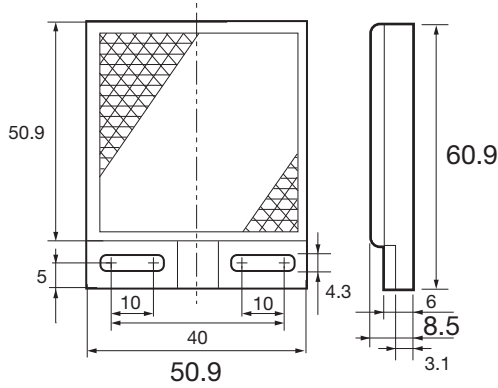
Dimensions

Reflector

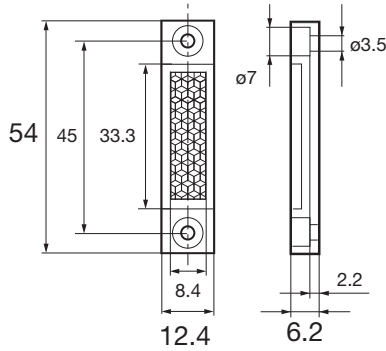
(Unit:mm)

■ V-61: Standard type reflector (included with retro-reflective type)

■ V-42: Small reflector (optional)

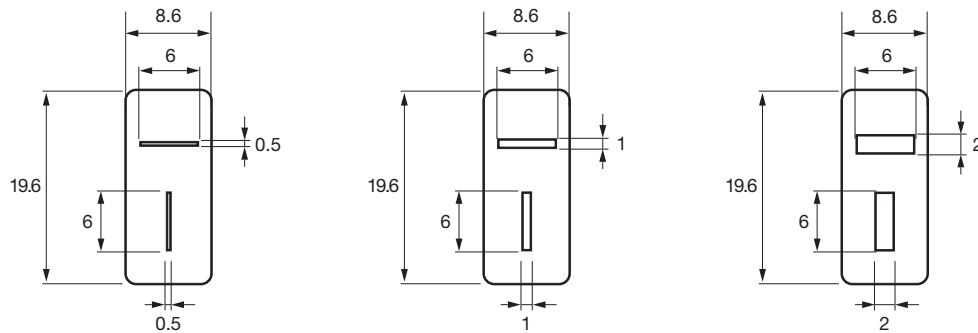


■ P45A: Vertical type reflector (optional)



Slit mask

■ BL-140 (optional)

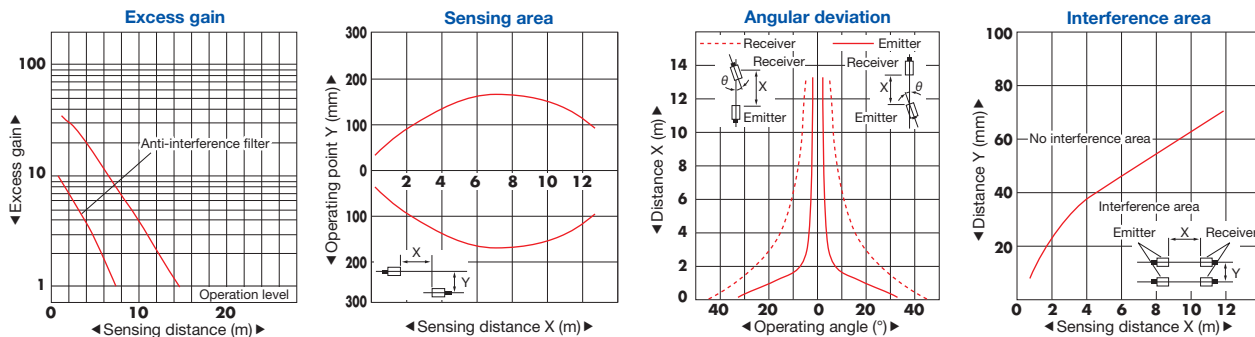


Slit size	Attachment	Smallest detectable object	Max. sensing distance
0.5 × 6 mm	Both emitter and receiver	0.4 mm	2 m
1.0 × 6 mm	Both emitter and receiver	0.8 mm	2 m
2.0 × 6 mm	Both emitter and receiver	1.5 mm	4 m

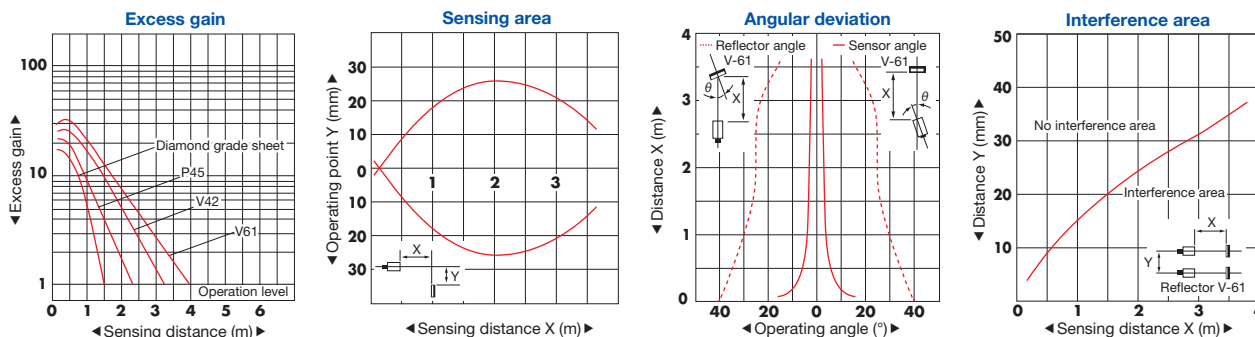
*Remove the protective seal and affix it to the lens surface.

Typical characteristic data

S2T-1200



S2R-350



S2D-80

