



Photoelectric Sensor
S SERIES

- S T-400
- S D-20
- S R-150
- BGS-S08
- S R-Q50
- BGS-S03N

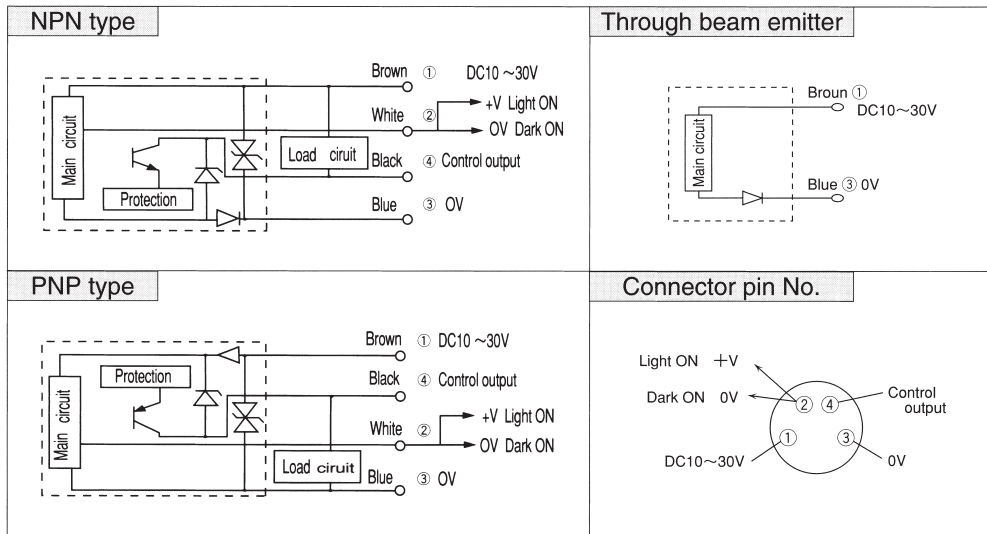
**INSTRUCTION
MANUAL**

- Confirm if the item meets your needs.
- Before the use, you should first thoroughly read this manual and operate correctly as mentioned.
- You should keep this manual at hand for proper use.

SPECIFICATIONS

	Through beam	Diffused ref.	Retro-ref.	BGS	Transparent objects	BGS small spot
Cable type	ST-400 (N.P)	SD-20 (N.P)	SR-150 (N.P)	BGS-S08 (N.P)	SR-Q50 (N.P) W	BGS-S03N
Connector type	ST-400C (N.P)	SD-20C (N.P)	SR-150C (N.P)	BGS-S08C (N.P)	SR-Q50C (N.P) W	—
Detecting distance	4m	20cm	1.5m	10~80mm	50cm	8~30mm
Supply voltage	DC10~30V					
Current consumption	30mA max.	20mA max.				
Light Source	Red LED					
Response time	0.5ms max.					
Control output	NPN/PNP Open collector DC30V 100mA max.					
Operation mode	Light ON/Dark ON selectable by wiring					
Sensitivity adjustment	1 turn volume		5 turn (endless)		1 turn volume	5 turn (endless)
Indicator	Light indicator (red)					
Ambient temp./humidity	-25~55°C / 35~85%PH					
Protection category materia	IP67 / Case : PSF+PBT (glass included) Front cover : PC (PMMA for Retro-ref)					

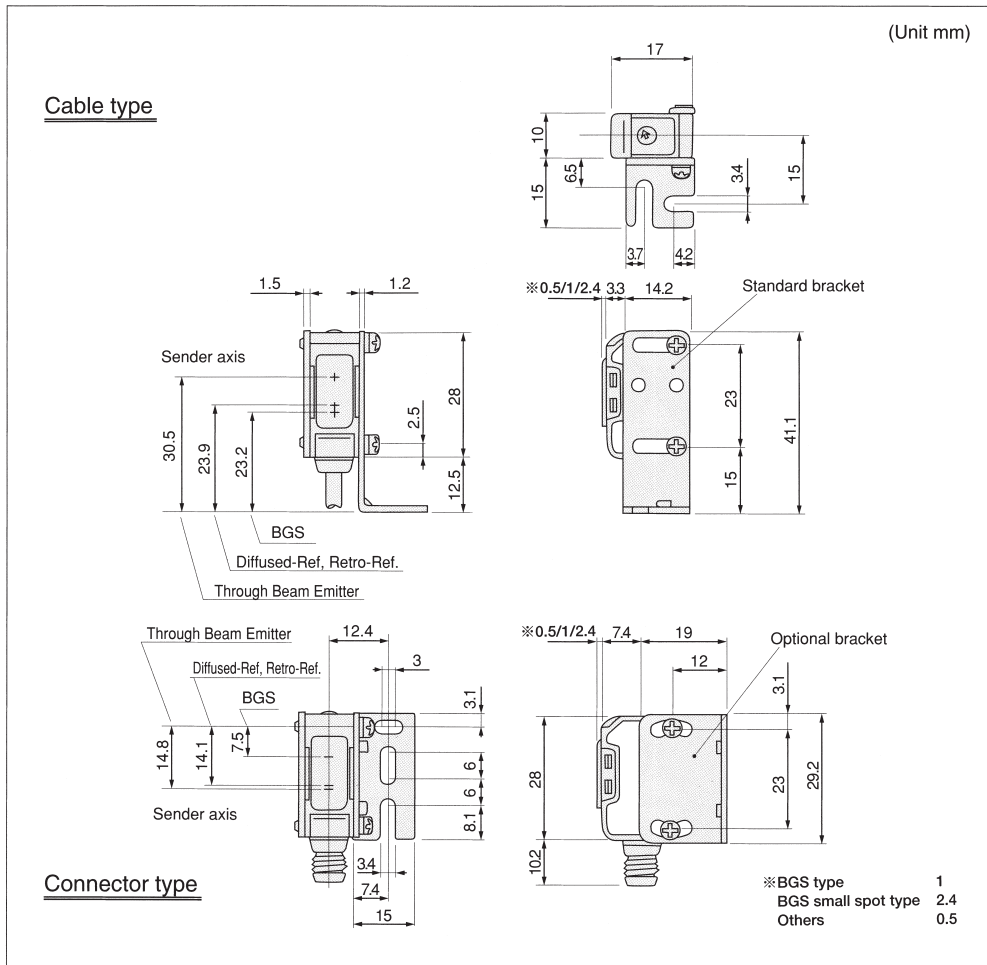
INPUT AND OUTPUT CIRCUIT DIAGRAMS



ACCESSORIES

- Standard reflector (for Retro-ref.)
Detecting distance 1.5m Type : V - 6 1
- Optional reflector
Detecting distance 80cm Type : V - 4 2
- Slit for Through beam type (option)
Type : B L - 1 5 0 - 1 0
- Bracket assy for vertical installation (option)
Type : B E F - W 1 5 0 - B

DIMENSIONS



⚠ Must not use this item as safety equipment for the purpose of human body protection.

- Specifications and equipment are subject to change without any obligations on the part of manufacture.
- For more information, questions and comments regarding products, please contact us below.

Manufactured and sold by:
OPTEx FA CO., LTD.
607-8085 Kyoto, Yamashina, Takehanadonomaecho 46-1, JAPAN
Tel: +81-(0)75-594-8123
Fax: +81-(0)75-594-8124
Website : <http://www.optex-fa.com>



Photoelectric Sensor
S2 SERIES

- S2T-1200 □ □ · S2R-350 □ □
- S2D-80 □ □ · S2D-60 □ □
- BGS-2S30 □ □ □ □ · BGS-2S15 □ □ □ □
- BGS-2S10 □ □ □ □ · BGS-2S25 □ □ □ □

**INSTRUCTION
MANUAL**

- Confirm if the item meets your needs.
- Before the use, you should first thoroughly read this manual and operate correctly as mentioned.
- You should keep this manual at hand for proper use.

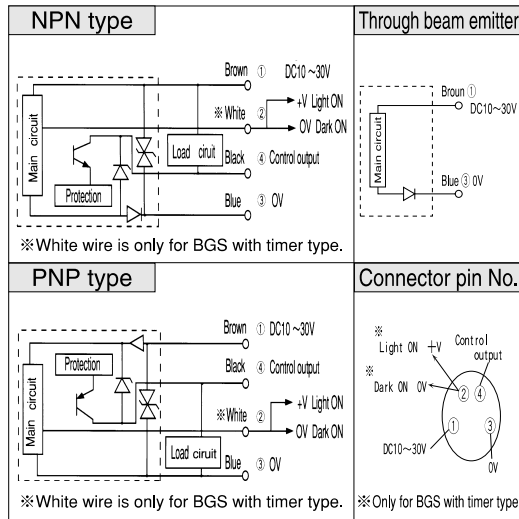
SPECIFICATION 1

	Through beam	Retro reflection	Diffused reflection		Limited function type		BGS Type		
					Through beam type	Retro reflection type	with timer function	without timer function	
Cable type	S2T-1200N •	S2R-350N •	S2D-80N •	S2D-60N •	S2T-1200N/D •	S2R-350N/D •	BGS-2S30(N,P) T	BGS-2S30(N,P)	
Connector type	S2T-1200CN •	S2R-350CN •	S2D-80CN •	S2D-60CN •			BGS-2S30C(N,P) T	BGS-2S30C(N,P)	
Detecting distance	12m	3.5m	80cm	60cm	12m	3.5m	25~300mm (adjustable range)		
Supply voltage	DC10~30V Including ripple (P-P) 10%								
Current consumption	Sender : 20mA max.		20mA max.		Sender : 20mA max		30mA max.		
	Receiver : 15mA max				Receiver : 15mA max				
Light Source	Red LED			IR LED		Red LED			
Response time	0.5ms max.								
Control output	NPN/PNP Open collector 100mA max./DC30V								
Operation mode	Light ON/Dark ON Selectable by swi				Dark ON		Light ON/Dark ON Selectable by wiring		
Sensitivity adjustment	1 turn volume				Not equipped		6 turns endless volume		
Indicator	Out put indicator (orange LED)		Stable indicator (green LED)		Green LED of BGS type is stable incident indicator				
Ambient temp./humidity	-25~55°C / 35~85%RH								
Protection category/material	IP67 (IP65 for limited function type) / Case : ABS (glass included) Front cover : PMMA (PC for BGS type)								
Timer	Not equipped						0~100ms adjustable		Not equipped

SPECIFICATION 2

	BGS Type		
Cable type	BGS-2S25(N,P)	BGS-2S10(N,P)	BGS-2S15(N,P)
Connector type	BGS-2S25C(N,P)	BGS-2S10CP	BGS-2S15C(N,P)
Detecting distance	1~250mm	20~100mm	25~150mm
Supply voltage	DC10~30V Including 10% ripple (P-P)		
Current consumption	30mA max.		
Light Source	Red LED		
Response time	0.5ms max.		
Control output	NPN/PNP Open collector 100mA max./DC30V		
Operation mode	Light ON/Dark ON Selectable by wiring		
Sensitivity adjustment	6 turns endless volume		
Indicator	Out put indicator (orange LED) Stable incident indicator (green LED)		
Ambient temp./humid	-25~55°C / 35~85%RH		
Protection category/material	IP67 Case : ABS (glass included) Front cover : PC		
Timer	Not equipped		

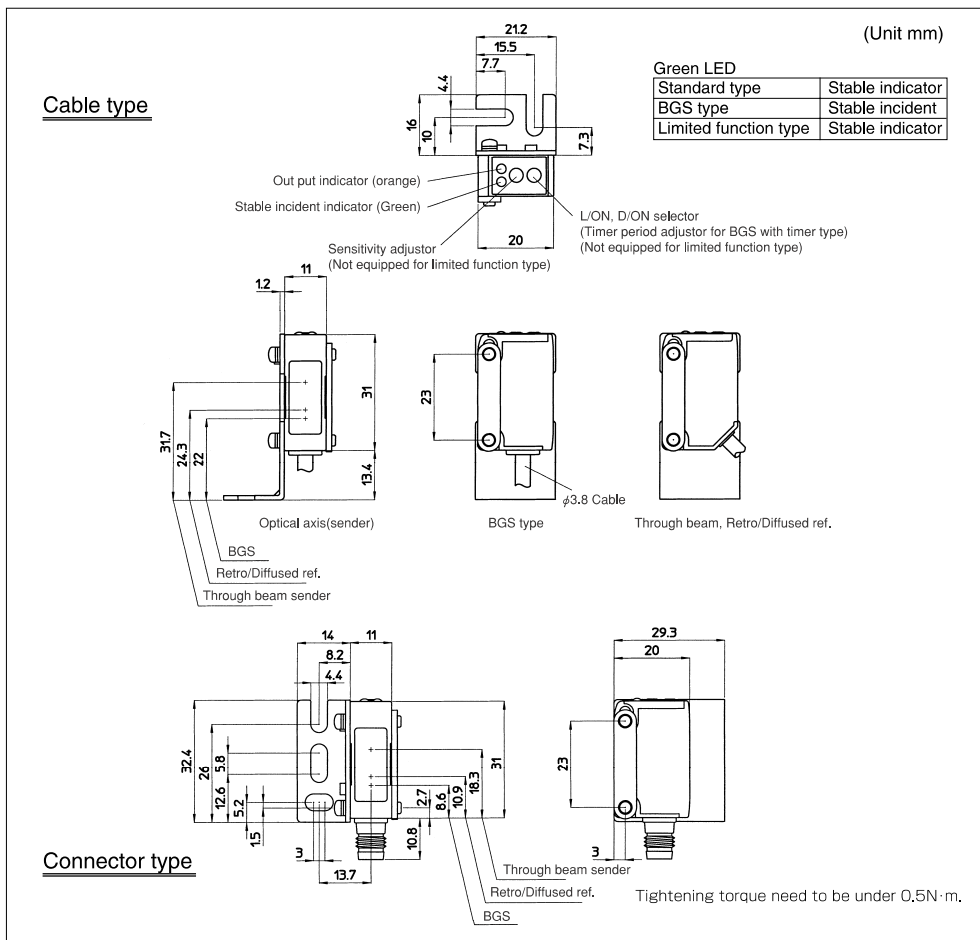
INPUT AND OUTPUT CIRCUIT DIAGRAMS



ACCESSORIES

- Standard reflector(for Retro-ref.)
Detecting distance 3.5m Type : V-6 1
 (Unit mm)
- Optional reflector
Detecting distance 2m Type : V-4 2
 (Unit mm)
- Optional reflector
Detecting distance 1.2m Type : P-4 5
 (Unit mm)
- Anti-interference filter for Through beam type(option)
Type : B L-1 4 0-POLF
Detecting distance : 5 m
- Bracket assy for vertical installation (option)
Type : B E F-W 1 4 0-B

DIMENSIONS



⚠ Must not use this item as safety equipment for the purpose of human body protection.

• Specifications and equipment are subject to change without any obligations on the part of manufacture.

• For more information, questions and comments regarding products, please contact us below.

① → http://www.optex-fa.com/rohs_cn/

Manufactured and sold by :
OPTEX FA CO., LTD.

91 Chudoji Awata-cho Shimogyo-ku Kyoto 600-8815 Japan
TEL. +81-(0)75-325-2920
FAX. +81-(0)75-325-2921

Website : <http://www.optex-fa.com>