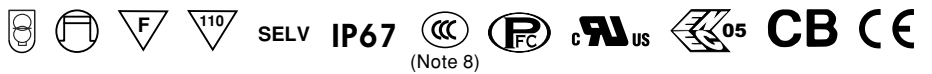




AC input with fixed cable



AC input with connector



### ■ Features

- Full power output at 70~100% constant power mode operation
- Wide input range 90 ~ 305VAC with active PFC function
- Patented metal housing design with IP67 (Patent NO:CN 201220314551)
- Function options: output adjustable via potentiometer; 3 in 1 dimming (dim-to-off and Isolation design)
- Typical lifetime>50000 hours and 5 years warranty
- AC input cable with connector for flexible application

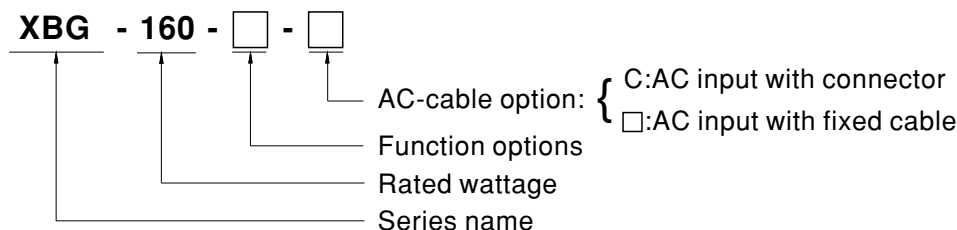
### ■ Applications

- LED bay lighting
- LED stage lighting
- LED spot lighting
- Explosion-proof lighting
- Type HL LED driver for class I division 2

### ■ Description

XBG-160 series is a 160W AC/DC LED driver featuring the constant power mode. XBG-160 operates from 90~305VAC and offers with different rated current ranging between 2850mA and 4100mA. Thanks to the high efficiency up to 93%, with the fanless design, the entire series is able to operate for -40°C~+90°C case temperature under free air convection. The design of metal housing and IP67 ingress protection level allows this series to fit both indoor and outdoor applications. Moreover the innovative environment-adaptive capability allows this series to reliably light on the LEDs for all kinds of application environments in almost any spots that may install LED luminaires in the world. XBG-160 series comply with the latest version of IEC61347/GB7000.1-2015 and UL8750 international safety regulations. The output and dimming circuit are also completely in accordance with the new regulations with isolation to ensure the safety of both users and luminaire system during installation.

### ■ Model Encoding

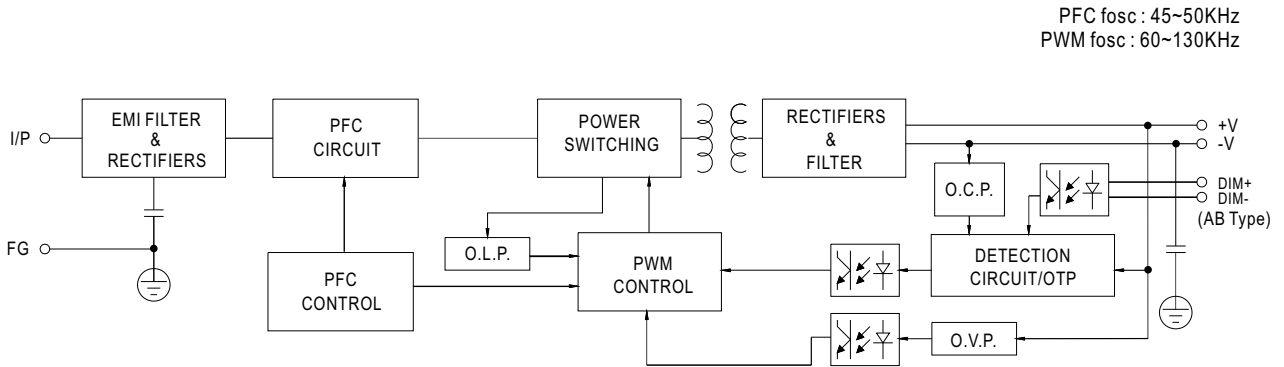


Type	IP Level	Function	Note
A	IP67	constant power adjustable via built-in potentiometer	In Stock
AB	IP67	constant power adjustable via built-in potentiometer + 3 in 1 dimming function (0~10Vdc, 10V PWM signal and resistance)	In Stock

**SPECIFICATION**

<b>MODEL</b>		XBG-160-□-□			
<b>OUTPUT</b>	<b>DEFAULT CURRENT</b>	3300mA			
	<b>RATED POWER</b>	159.9W			
	<b>CONSTANT CURRENT REGION</b>	34 ~ 56V			
	<b>FULL POWER CURRENT RANGE</b>	2850~4100mA			
	<b>OPEN CIRCUIT VOLTAGE (max.)</b>	60V			
	<b>CURRENT ADJ. RANGE</b>	1425~4100mA			
	<b>CURRENT RIPPLE</b>	5.0% max. @rated current			
	<b>CURRENT TOLERANCE</b>	±5%			
	<b>SET UP TIME</b>	<b>Note.4</b>	500ms/230VAC, 2000ms/115VAC		
<b>INPUT</b>	<b>VOLTAGE RANGE</b>	<b>Note.2</b>	90 ~ 305VAC (Please refer to "STATIC CHARACTERISTIC" section)		
	<b>FREQUENCY RANGE</b>	47 ~ 63Hz			
	<b>POWER FACTOR (Typ.)</b>	PF ≥ 0.97 / 115VAC, PF ≥ 0.95 / 230VAC, PF ≥ 0.92 / 277VAC at full load (Please refer to "Power Factor Characteristic" section)			
	<b>TOTAL HARMONIC DISTORTION</b>	THD < 10% (@ load ≥ 60% at 115VAC/230VAC, @load ≥ 75% at 277VAC) Please refer to "TOTAL HARMONIC DISTORTION (THD)" section			
	<b>EFFICIENCY (Typ.)</b>	93%			
	<b>AC CURRENT (Typ.)</b>	2.0A / 115VAC    0.8A / 230VAC    0.7A / 277VAC			
	<b>INRUSH CURRENT(Typ.)</b>	COLD START 50A(twidth=620μs measured at 50% Ipeak) at 230VAC; Per NEMA 410			
	<b>MAX. NO. of PSUs on 16A CIRCUIT BREAKER</b>	4 unit(circuit breaker of type B) / 7 units(circuit breaker of type C) at 230VAC			
	<b>LEAKAGE CURRENT</b>	<0.75mA / 277VAC			
	<b>NO LOAD / STANDBY POWER CONSUMPTION</b>	No load power consumption<0.5W for A-Type Standby power consumption<0.5W for AB-Type			
<b>PROTECTION</b>	<b>OVER CURRENT</b>	95 ~ 108% Constant current limiting, recovers automatically after fault condition is removed			
	<b>SHORT CIRCUIT</b>	Hiccup mode, recovers automatically after fault condition is removed			
	<b>OVER VOLTAGE</b>	61 ~ 78V Shut down output voltage, re-power on to recovery			
	<b>OVER TEMPERATURE</b>	Shut down output voltage, recovers automatically after temperature goes down			
<b>ENVIRONMENT</b>	<b>WORKING TEMP.</b>	Tcase=-40 ~ +90°C (Please refer to "OUTPUT LOAD vs TEMPERATURE" section)			
	<b>MAX. CASE TEMP.</b>	Tcase=+90°C			
	<b>WORKING HUMIDITY</b>	20 ~ 95% RH non-condensing			
	<b>STORAGE TEMP., HUMIDITY</b>	-40 ~ +80°C, 10 ~ 95% RH non-condensing			
	<b>TEMP. COEFFICIENT</b>	±0.03%/°C (0 ~ 60°C)			
	<b>VIBRATION</b>	10 ~ 500Hz, 5G 12min./1cycle, period for 72min. each along X, Y, Z axes			
<b>SAFETY &amp; EMC</b>	<b>SAFETY STANDARDS</b>	UL8750(type"HL"), CSA C22.2 No. 250.13-12; ENEC EN61347-1, EN61347-2-13 independent, EN62384; GB19510.1,GB19510.14; IP67 approved			
	<b>WITHSTAND VOLTAGE</b>	I/P-O/P:3.75KVAC    I/P-FG:2KVAC    O/P-FG:1.5KVAC			
	<b>ISOLATION RESISTANCE</b>	I/P-O/P, I/P-FG, O/P-FG:100M Ohms / 500VDC / 25°C / 70% RH			
	<b>EMC EMISSION</b>	<b>Parameter</b>	<b>Standard</b>	<b>Test Level/Note</b>	
		Conducted	EN55015(CISPR15)	-----	
		Radiated	EN55015(CISPR15)	-----	
		Harmonic Current	EN61000-3-2	Class C @load≥50%	
		Voltage Flicker	EN61000-3-3	-----	
	<b>EMC IMMUNITY</b>	EN55024, EN61204-3, EN61000-6-2			
		<b>Parameter</b>	<b>Standard</b>	<b>Test Level/Note</b>	
		ESD	EN61000-4-2	Level 3, 8KV air ; Level 2, 4KV contact	
		Radiated	EN61000-4-3	Level 3	
		EFT/Burst	EN61000-4-4	Level 3	
		Surge	EN61000-4-5	4KV/Line-Line 6KV/Line-Earth	
Conducted		EN61000-4-6	Level 3		
Magnetic Field		EN61000-4-8	Level 4		
	Voltage Dips and Interruptions	EN61000-4-11	>95% dip 0.5 periods, 30% dip 25 periods, >95% interruptions 250 periods		
<b>OTHERS</b>	<b>MTBF</b>	1100K hrs min.    Telcordia SR-332(Bellcore) ; 280K hrs min.    MIL-HDBK-217F (25°C)			
	<b>LIFETIME</b>	<b>Note.5</b>	50000 hrs min.		
	<b>DIMENSION</b>	φ 151.5mm *60mm(D*H)			
	<b>PACKING</b>	1.25Kg; 8pcs/11.5Kg/0.93CUFT			
<b>NOTE</b>	<p>1. All parameters NOT specially mentioned are measured at 230VAC input, rated current and 25°C of ambient temperature.</p> <p>2. De-rating may be needed under low input voltages. Please refer to "STATIC CHARACTERISTIC" sections for details.</p> <p>3. The driver is considered as a component that will be operated in combination with final equipment. Since EMC performance will be affected by the complete installation, the final equipment manufacturers must re-qualify EMC Directive on the complete installation again.</p> <p>4. Length of set up time is measured at first cold start. Turning ON/OFF the power supply may lead to increase of the set up time.</p> <p>5. This series meets the typical life expectancy of &gt;50,000 hours of operation when Tcase, particularly tc point (or TMP, per DLC), is about 70°C or less.</p> <p>6. To fulfill requirements of the latest ErP regulation for lighting fixture, this LED drive can only be used behind a switch without permanently connected to the mains.</p> <p>7. Please refer to the warranty statement on MEAN WELL's website at <a href="http://www.meanwell.com">http://www.meanwell.com</a></p> <p>8. The ambient temperature derating of 3.5°C/1000m with fanless models and of 5°C/1000m with fan models for operating altitude higher than 2000m(6500ft).</p> <p>9. Products sourced from the Americas regions may not have the PSE/CCC/BIS/KC logo. Please contact your MEAN WELL sales for more information.</p> <p>10. For any application note and IP water proof function installation caution, please refer our user manual before using. <a href="https://www.meanwell.com/Upload/PDF/LED_EN.pdf">https://www.meanwell.com/Upload/PDF/LED_EN.pdf</a></p>				

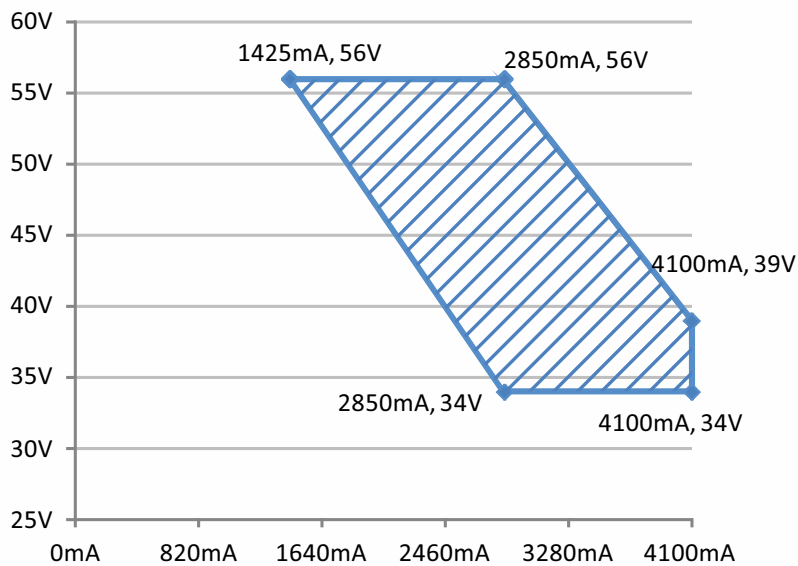
## ■ BLOCK DIAGRAM



## ■ DRIVING METHODS OF LED MODULE

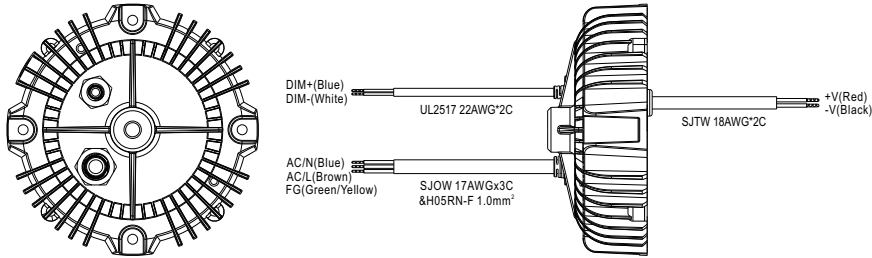
※ I-V Operating Area

© XBG-160



High Performance Region    Operational Region

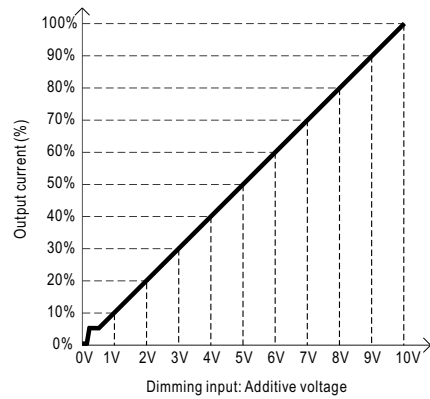
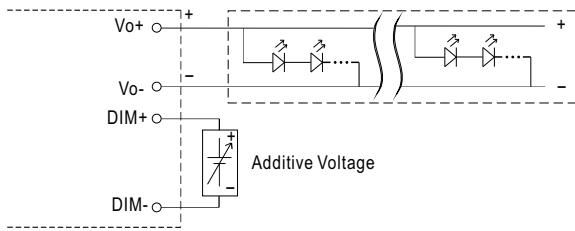
**DIMMING OPERATION**



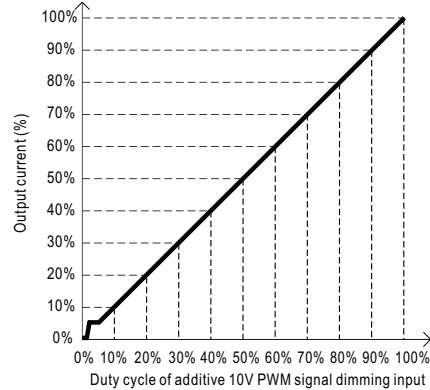
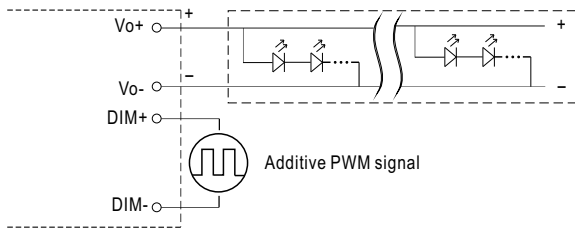
※ **3 in 1 dimming function (for AB-Type)**

- Output constant current level can be adjusted by applying one of the three methodologies between DIM+ and DIM-: 0 ~ 10VDC, or 10V PWM signal or resistance.
- Direct connecting to LEDs is suggested. It is not suitable to be used with additional drivers.
- Dimming source current from power supply: 100μA (typ.)

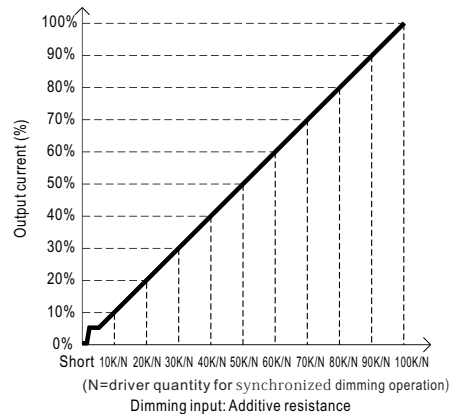
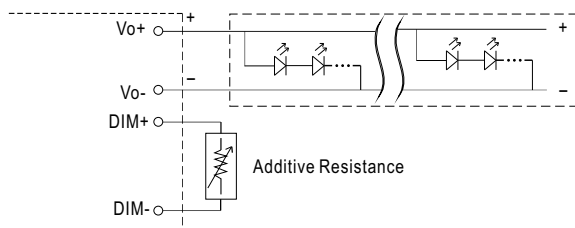
◎ Applying additive 0 ~ 10VDC



◎ Applying additive 10V PWM signal (frequency range 100Hz ~ 3KHz):

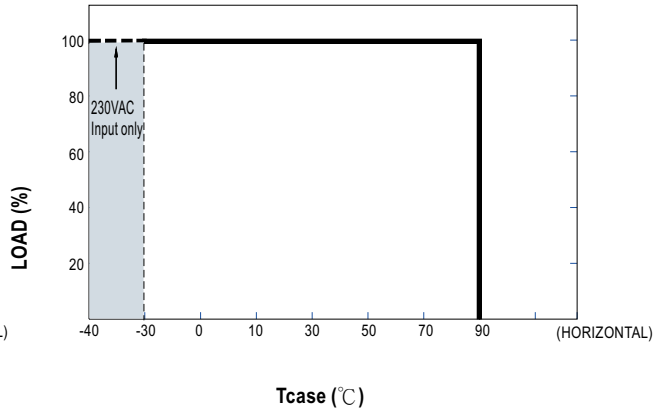
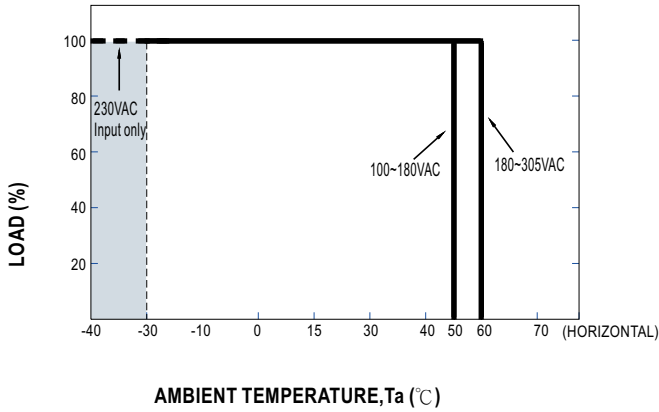


◎ Applying additive resistance:

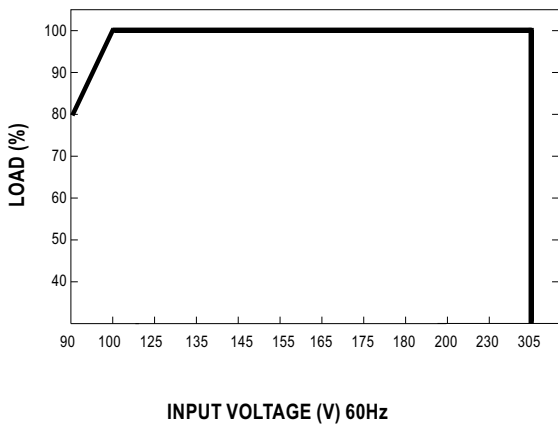


Note : 1. Min. dimming level is about 8% and the output current is not defined when  $0\% < I_{out} < 8\%$ .  
2. The output current could drop down to 0% when dimming input is about  $0k\Omega$  or 0Vdc, or 10V PWM signal with 0% duty cycle.

### OUTPUT LOAD vs TEMPERATURE

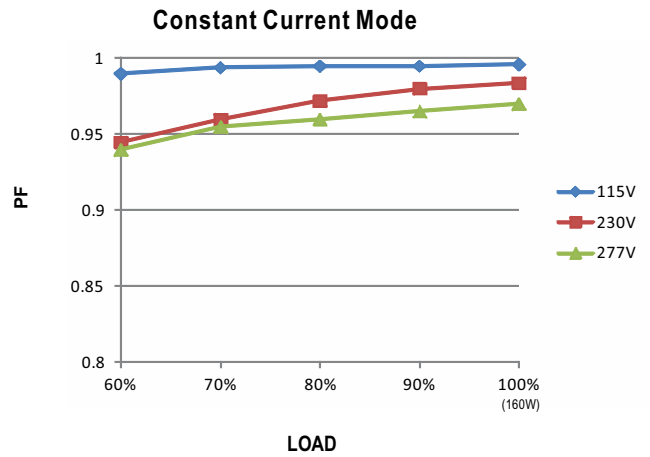


### STATIC CHARACTERISTIC



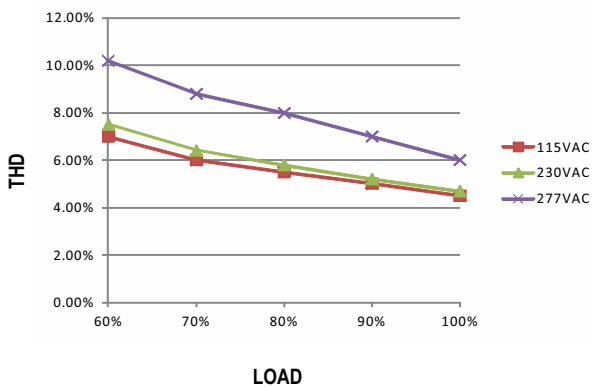
### POWER FACTOR (PF) CHARACTERISTIC

※ Tcase at 65°C



### TOTAL HARMONIC DISTORTION (THD)

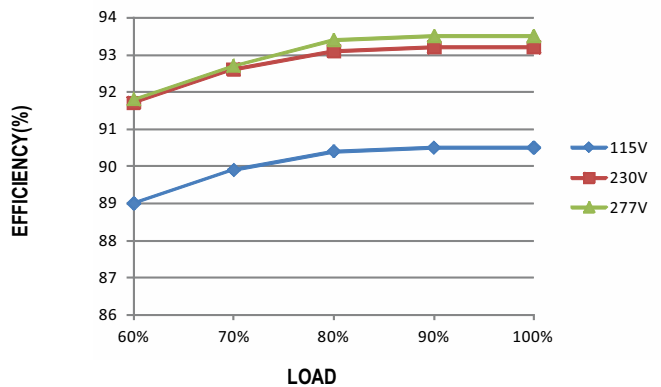
※ 2850mA Model, Tcase at 65°C



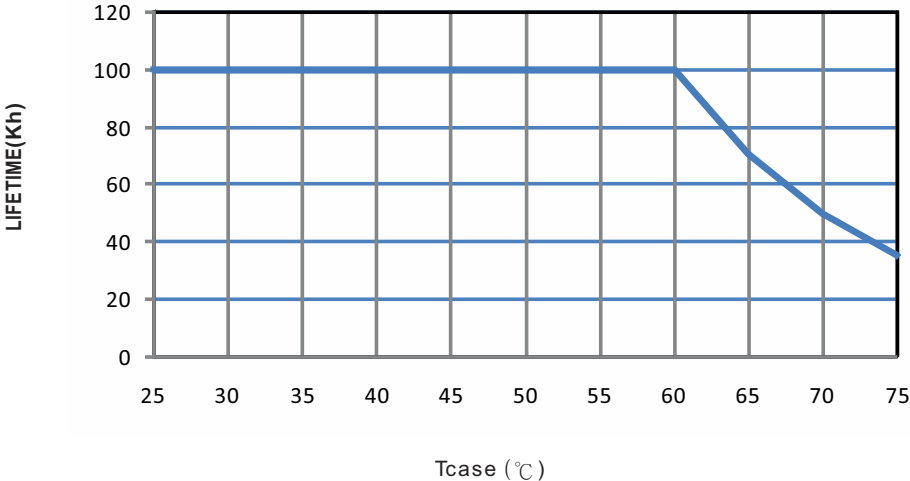
### EFFICIENCY vs LOAD

XBG-160 series possess superior working efficiency that up to 93% can be reached in field applications.

※ 2850mA Model, Tcase at 65°C



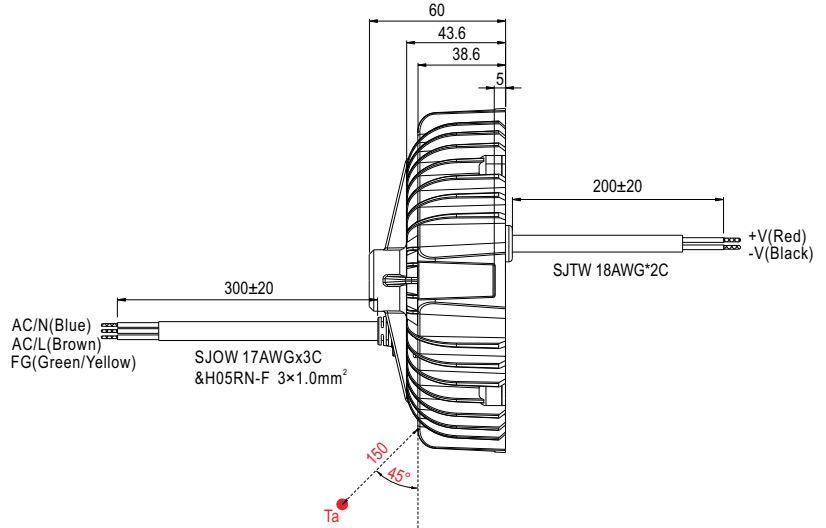
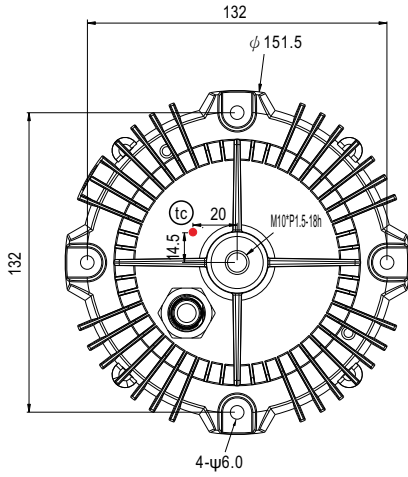
■ LIFE TIME



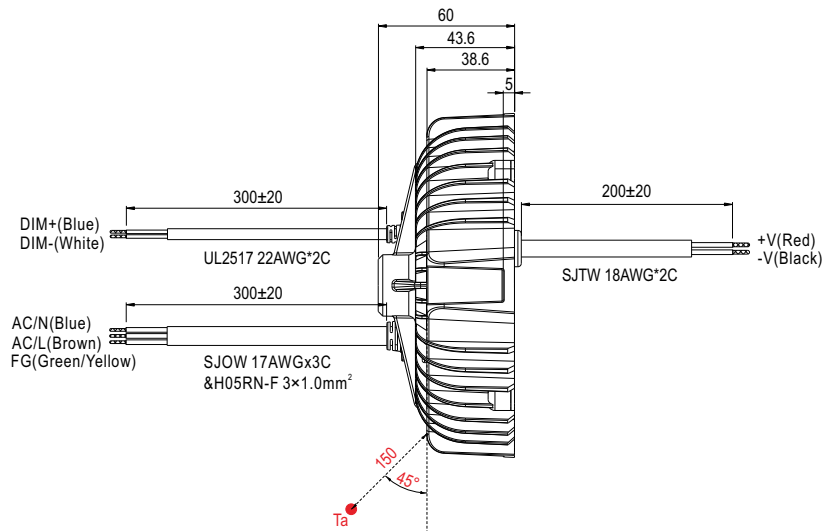
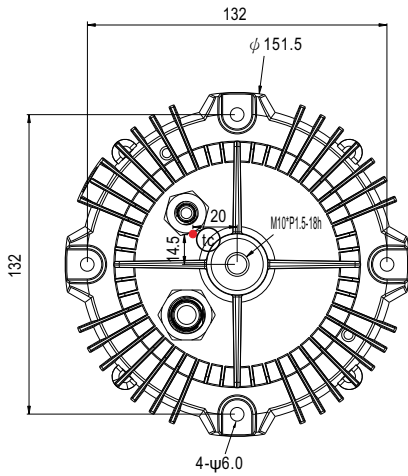
**MECHANICAL SPECIFICATION**

Case No.271 Unit:mm

※ **A-Type(AC input with fixed cable)**

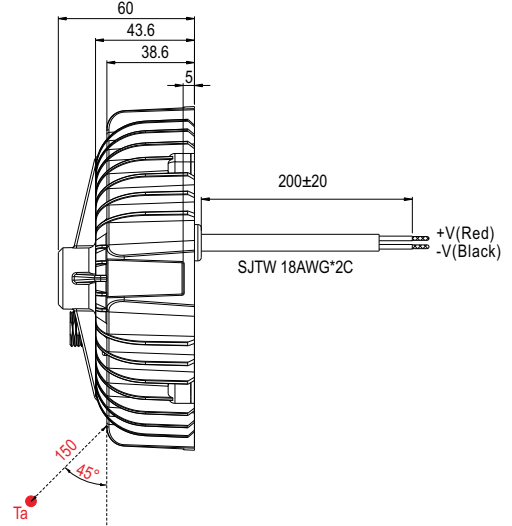
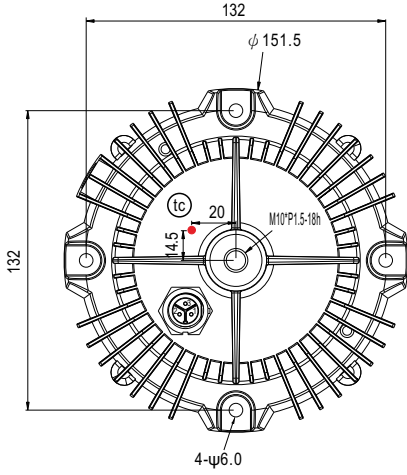


※ **AB-Type**

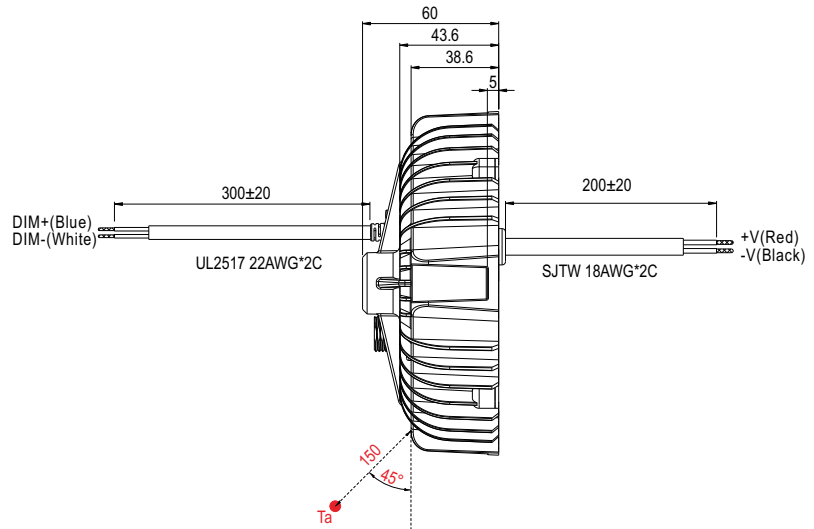
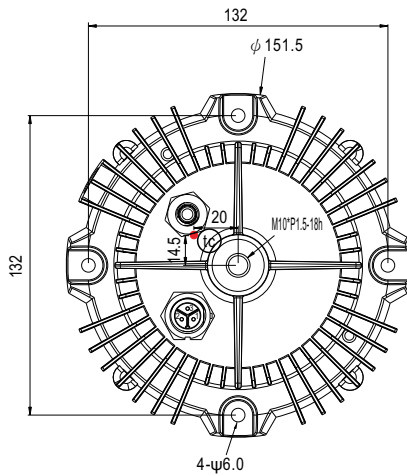


- (Ta) : Max. Case Temperature.(case temperature measured point)
- Ta : Ambient Temperature measured point

※ A-C-Type(AC input with connector)



※ AB-C-Type



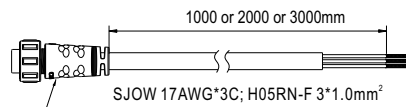
Terminal Pin No. Assignment(CHOGORI 22003515-01)

Pin No.	Assignment	Drawing
1	AC/L	
2	AC/N	
3	FG $\perp$	

- (C) : Max. Case Temperature. (case temperature measured point)
- Ta : Ambient Temperature measured point

AC input cable is optional, needs extra charge

Item	Order part NO.
1M	1FF5XBG-160-IP1
2M	1FF5XBG-160-IP2
3M	1FF5XBG-160-IP3



CHOGORI 22003213-01

■ INSTALLATION MANUAL

Please refer to : <http://www.meanwell.com/manual.html>