

# MT4B/5B/8B Ø45mm / Ø56mm / Ø86mm Steady

## TOWER LIGHTS



### Incandescent or LED

- Optional LED bulbs available (12VDC & 24VDC ONLY)
- Long life and reliability
- Prism-cut lenses for even light distribution
- Surface, Pole or Wall Mounted  
(Order poles & bases separately)
- Wire leads or Terminal connection
- NEMA 12, 3R / IP56 rated



### Order Information

MT	4	B	5	A	L	-	RYGBC
	①	②	③	④	⑤		⑥
<b>① Lens Diameter</b>	4	5	8	Ø45mm	Ø56mm	Ø85mm	
<b>② Light Style</b>	B	Steady					
<b>③ Number of Stacks</b>	1	1 Light					
	2	2 Lights					
	3	3 Lights					
	4	4 Lights					
	5	5 Lights					
<b>④ Power Supply</b>	D	DC/AC 12V					
	A	DC/AC 24V					
	B	AC 110~120V					
	C	AC 220~240V					
<b>⑤ Connection</b>	L	Lead Wires					
<b>⑥ Lens Colors (top to bottom)</b>	R	Red					
	Y	Yellow					
	G	Green					
	B	Blue					
	C	Clear					

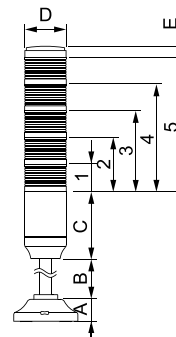
### Optional Orders

#### Replacement Parts

Model	Part	Part Number	Voltage
MT4B	LED	LED-T09-S-12-(□)	DC 12V
		LED-T09-S-24-(□)	DC 24V
	BULB	MAB-T09-S-012-05	DC/AC 12V, 5W
		MAB-T09-S-024-05	DC/AC 24V, 5W
		MAB-T09-S-130-05	AC 110~120V, 5W
	MAB-T09-S-240-05	AC 220~240V, 5W	
	Lens	MAL-4-(□)	Ø45mm
MT5B MT8B	LED	LED-T15-D-12-(□)	DC 12V
		LED-T15-D-24-(□)	DC 24V
		LED-T15-D-110-(□)	AC 110~120V
		LED-T15-D-220-(□)	AC 220~240V
	BULB	MAB-T15-D-012-10	DC/AC 12V, 10W
MAB-T15-D-024-10		DC/AC 24V, 10W	
MAB-T15-D-120-10		AC 110~120V, 10W	
MAB-T15-D-240-10		AC 220~240V, 10W	
	Lens	MAL-5-(□)	Ø56mm
		MAL-8-(□)	Ø86mm

(□): indicates color of LED or Lens; R, Y, G, B or C

### Dimensions



unit: mm

Symbol	Model		
	MT4B	MT5B	MT8B
A	29	29	29
B	185	185	185
C	72	95	108
D	45	56	86
E	10.5	15	15
1	46	68	68
2	92	136	136
3	138	204	204
4	184	272	272
5	230	340	340

### Specifications

Power Supply		12V AC/DC	24V AC/DC	100-220V AC
Current Draw	1 Stack	41 mA	27 mA	28 mA
	2 Stack	89 mA	57 mA	60 mA
	3 Stack	149 mA	95 mA	99 mA
	4 Stack	204 mA	125 mA	131 mA
	5 Stack	240 mA	155 mA	163 mA
Flashing rate		80 times/minute		
Rating		IP 56		

See Page 13-14  
for Mounting Options and Accessories

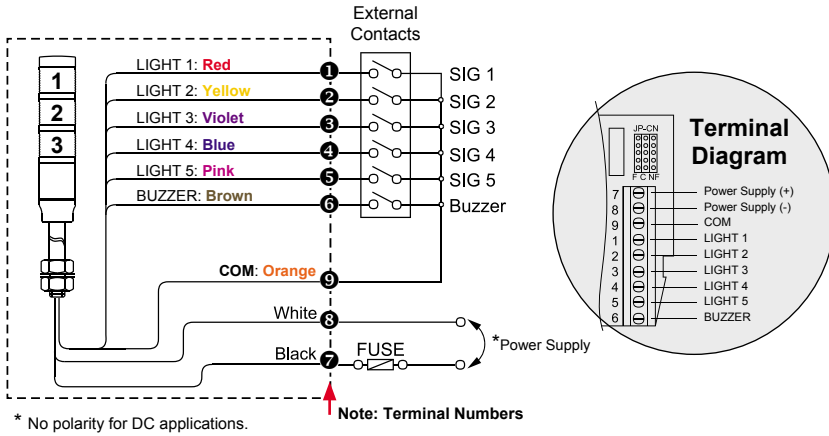
# MT5C/8C & MT4B/5B/8B Wiring Diagram

## MT5C/8C

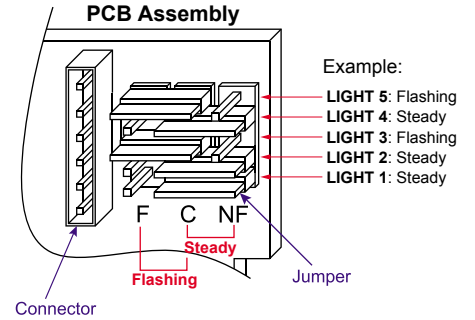
### DC/AC 24V

#### Steady or Flashing (with Buzzer)

MT5C□AL-□□□□ MT8C□AL-□□□□  
 MT5C□AT-□□□□ MT8C□AT-□□□□



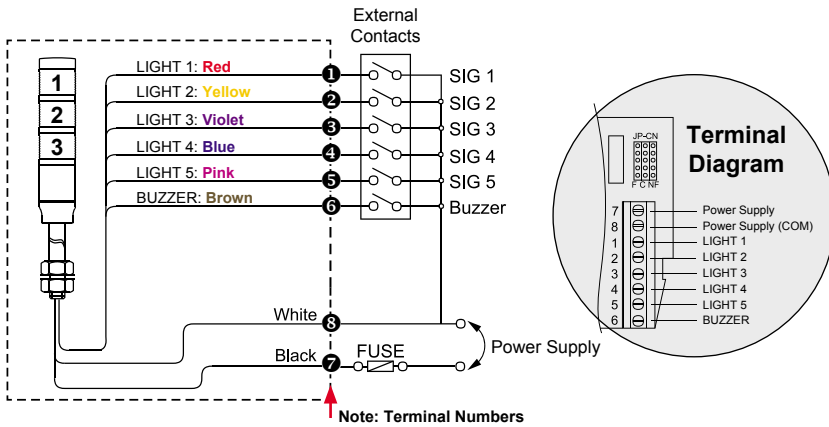
### Steady/Flashing Selection



### AC 110~120V AC 220~240V

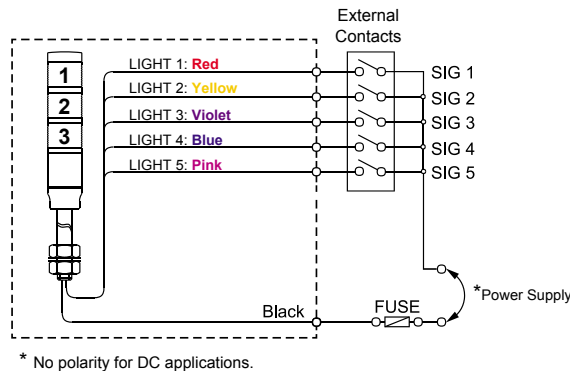
#### Steady or Flashing Lights (with Buzzer)

MT5C□BL-□□□□ MT8C□BL-□□□□  
 MT5C□BT-□□□□ MT8C□BT-□□□□  
 MT5C□CL-□□□□ MT8C□CL-□□□□  
 MT5C□CT-□□□□ MT8C□CT-□□□□



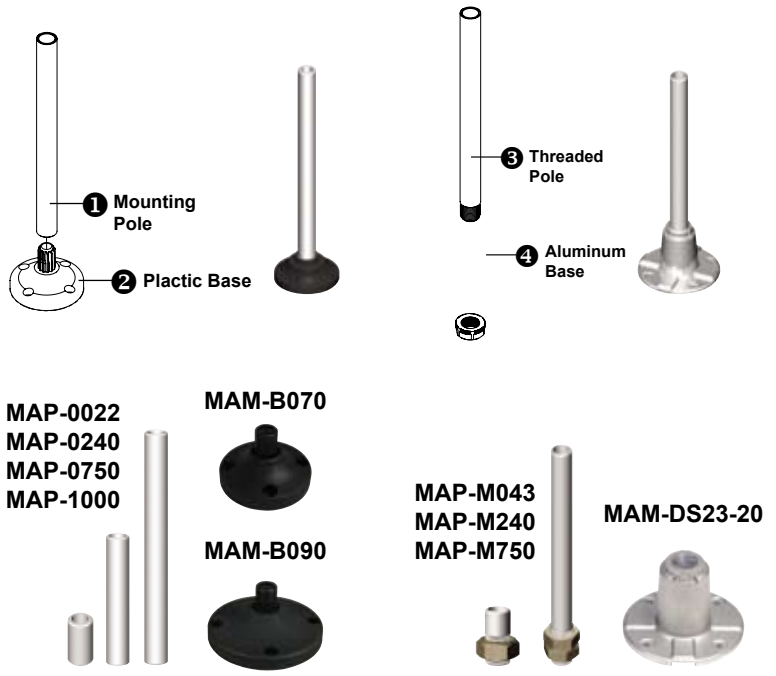
## MT4B/5B/8B

### AC/DC 12V AC 110~120V AC/DC 24V AC 220~240V Steady Lights



**Pole Mounting with Base**

Part	Part #	Description
1	MAP-0022	Ø20mm, 0.87 in (22 mm) pole
	MAP-0240	Ø20mm, 9.45 in (240 mm) pole
	MAP-0750	Ø20mm, 29.53 in (750 mm) pole
	MAP-1000	Ø20mm, 39.37 in (1000 mm) pole
2	MAM-B070	Ø70mm Plastic Base
	MAM-B090	Ø90mm Plastic Base
3	MAP-M043	Ø20mm, 1.69 in (43 mm) threaded pole with 1 nut
	MAP-M240	Ø20mm, 9.45 in (240 mm) threaded pole with 2 nuts
	MAP-M750	Ø20mm, 29.53 in (750 mm) threaded pole with 1 nut
4	MAM-DS23-20	Aluminum Base



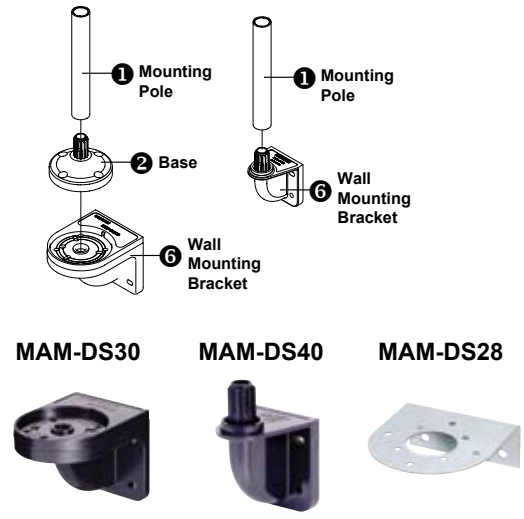
**L-angle Mounting with Bracket**

Part	Part #	Description
3	MAP-M043	Ø20mm, 1.69 in (43 mm) threaded pole with 1 nut
	MAP-M240	Ø20mm, 9.45 in (240 mm) threaded pole with 2 nuts
	MAP-M750	Ø20mm, 29.53 in (750 mm) threaded pole with 1 nut
5	MAM-DS25	L-angle Bracket



**Wall Mounting with Bracket**

Part	Part #	Description
1	MAP-0022	Ø20mm, 0.87 in (22 mm) pole
	MAP-0240	Ø20mm, 9.45 in (240 mm) pole
	MAP-0750	Ø20mm, 29.53 in (750 mm) pole
	MAP-1000	Ø20mm, 39.37 in (1000 mm) pole
2	MAM-B070	Plastic Base
6	MAM-DS30-BLK	Plastic Wall Mounting Bracket, Black (Pole & Base required)
	MAM-DS30-BGE	Plastic Wall Mounting Bracket, Beige (Pole & Base required)
	MAM-DS40-BLK	Plastic Wall Mounting Bracket, Black (Pole required)
	MAM-DS40-BGE	Plastic Wall Mounting Bracket, Beige (Pole required)
	MAM-DS28	Metal Wall Mounting Bracket (Pole & Base required)



**NPT Mounting with NPT Adaptor**

