

M18 SERIES

There are millions of inductive sensors deployed in almost every area of factory automation. They detect metal objects contactless and are distinguished by a long operating life and extreme robustness. The Datalogic Automation inductive family provides the right solution to market requirements, offering a wide range of cylindrical and rectangular standard sensors with one or two set switching distances, available also with two, three or four wires connection models, short and standard housing and cable or connector version. Stainless steel version for both harsh environments or for FOOD applications.



HIGHLIGHTS

- Wide range: suitable practically for all the industrial applications
- Stainless steel versions: suitable for food applications
- 1X and 2 X operating distances: high detection reliability and precise reading
- 2, 3 or 4 wire connection: flexible connection system to meet customer applications

APPLICATIONS

Automatic warehouse



Automotive



Transportation lines



Packaging lines

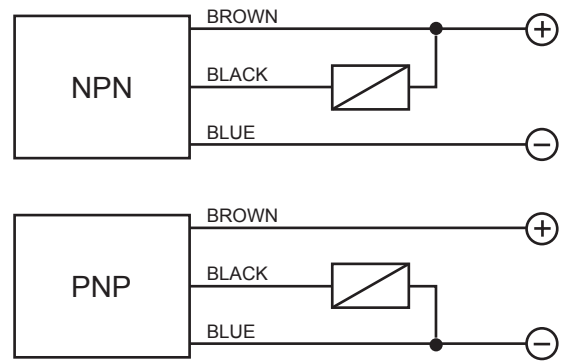


PROXIMITY SWITCHES

10÷30 V DC - 3 WIRES NPN OR PNP OUTPUT

- Range, 5mm to 8mm - flush, non flush
- Short housing models
- Cable or M12 quick connect models
- Operation LED
- Stainless steel housing

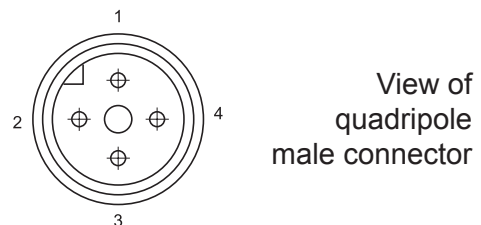
WIRING DIAGRAMS



TECHNICAL DATA

	FLUSH	NON FLUSH
NOMINAL SWITCHING DISTANCE (Sn)	5 mm	8 mm
NOMINAL VOLTAGE	10 ÷ 30 VDC (-15 / +10%)	
RESIDUAL RIPPLE	≤ 10%	
HYSTERESIS	< 10%	
MAX. OUTPUT CURRENT	200 mA	
RESIDUAL CURRENT	< 10 mA	
VOLTAGE DROP (Sensor ON)	< 1.8 V (I = 100 mA)	
OPERATION LED	Yellow	
SWITCHING FREQUENCY	1000 Hz	
START UP DELAY	≤ 50 ms	
REPEATABILITY	≤ 3%	
SHORT CIRCUIT PROTECTION	Present (self-resetting)	
ELECTRIC PROTECTIONS	Against polarity reversal inductive loads	
TEMPERATURE LIMITS	- 25 ÷ +60 °C	
PROTECTION DEGREE	IP 67	
CABLE LENGTH	2 m	
CABLE SECTION	3 x 0,25 mm ²	
HOUSING MATERIAL	Nickel-plated brass Stainless Steel	
WEIGHT - Cable output -	145 g	
WEIGHT - M12 connector output -	95 g	

CONNECTION WITH CONNECTOR M12



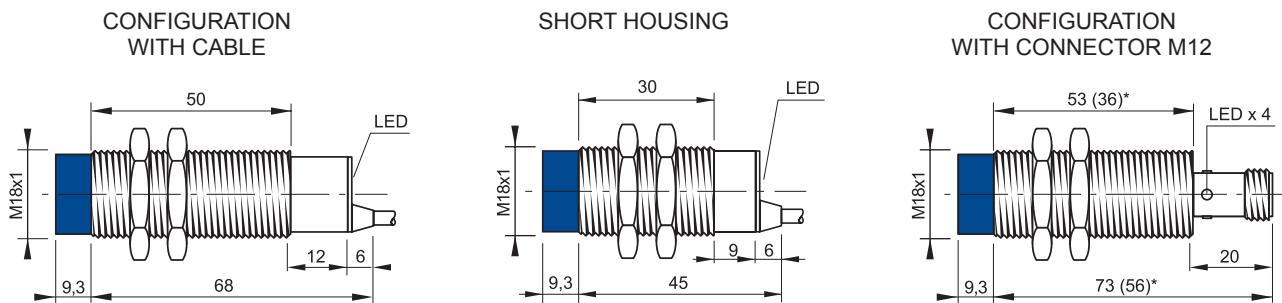
View of quadripole male connector

CONTACTS CONFIGURATION

Available	Contacts numbers			
	1	2	3	4
(NO or NC)	+		-	NO/NC



DIMENSIONS (mm)



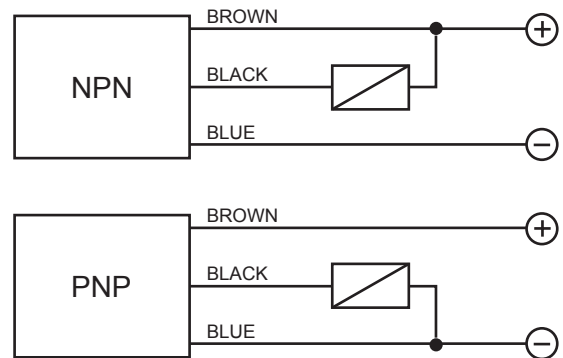
(*) The dimensions into brackets refer to short housing models
Note: the front part in blue refers to non flush models

Ø 18 INCREASED RANGE

10÷30 V DC - 3 WIRES NPN OR PNP OUTPUT

- Range, 8mm to 14mm - flush, non flush
- Short housing models
- Cable or M12 quick connect models
- Operation LED

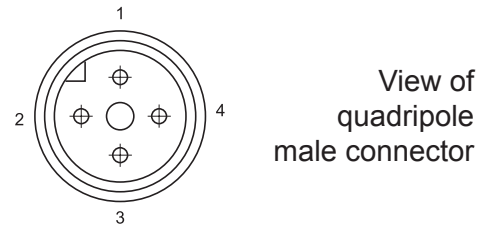
WIRING DIAGRAMS



TECHNICAL DATA

	FLUSH	NON FLUSH
NOMINAL SWITCHING DISTANCE (Sn)	8 mm	14 mm
NOMINAL VOLTAGE	10 ÷ 30 VDC (-15 / +10%)	
RESIDUAL RIPPLE	≤ 10%	
HYSTERESIS	< 10%	
MAX. OUTPUT CURRENT	200 mA	
RESIDUAL CURRENT	< 10 mA	
VOLTAGE DROP (Sensor ON)	< 1.2 V (I = 100 mA)	
OPERATION LED	Yellow	
SWITCHING FREQUENCY	400 Hz	
START UP DELAY	≤ 75 ms	
REPEATABILITY	≤ 3%	
SHORT CIRCUIT PROTECTION	Present (self-resetting)	
ELECTRIC PROTECTIONS	Against polarity reversal inductive loads	
TEMPERATURE LIMITS	- 25 ÷ +70 °C	
PROTECTION DEGREE	IP 67	
CABLE LENGTH	2 m	
CABLE SECTION	3 x 0,25 mm ²	
HOUSING MATERIAL	Nickel-plated brass	
WEIGHT - Cable output -	145 g	
WEIGHT - M12 connector output -	95 g	

CONNECTION WITH CONNECTOR M12



View of quadripole male connector

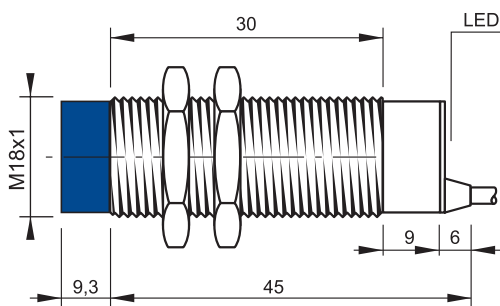
CONTACTS CONFIGURATION

Available	Contacts numbers			
	1	2	3	4
(NO or NC)	+		-	NO/NC

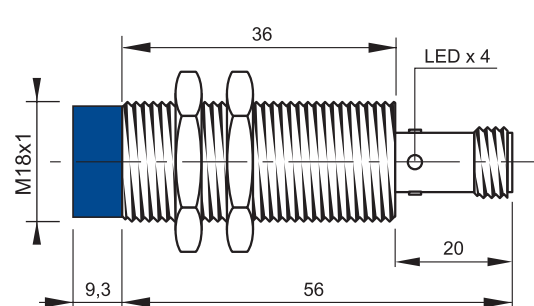


DIMENSIONS (mm)

CONFIGURATION WITH CABLE



CONFIGURATION WITH CONNECTOR M12



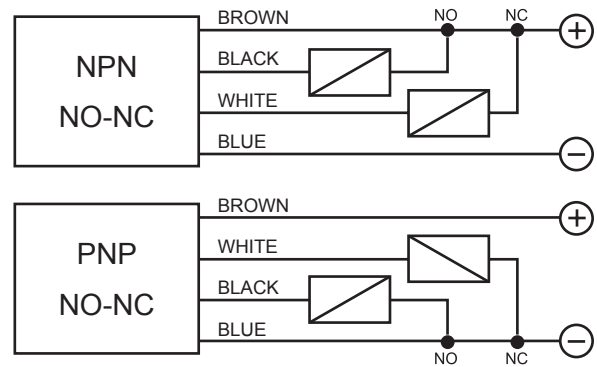
Note: the front part in blue refers to non flush models

Ø 18 INCREASED RANGE

10÷30 V DC - 4 WIRES NPN OR PNP OUTPUT

- Range, 8mm to 14mm - flush, non flush
- Short housing models
- 200mA NPN or PNP
- Operation LED
- Cable or M12 quick connect models

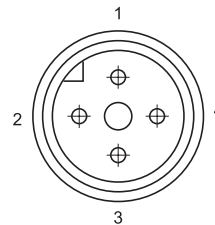
WIRING DIAGRAMS



TECHNICAL DATA

	FLUSH	NON FLUSH
NOMINAL SWITCHING DISTANCE (Sn)	8 mm	14 mm
NOMINAL VOLTAGE	10 ÷ 30 VDC (-15 / +10%)	
RESIDUAL RIPPLE	≤ 10%	
HYSTERESIS	< 10%	
MAX. OUTPUT CURRENT	200 mA	
RESIDUAL CURRENT	< 10 mA	
VOLTAGE DROP (Sensor ON)	< 1.2 V (I = 100 mA)	
OPERATION LED	Yellow	
SWITCHING FREQUENCY	400 Hz	
START UP DELAY	≤ 75 ms	
REPEATABILITY	≤ 3%	
SHORT CIRCUIT PROTECTION	Present (self-resetting)	
ELECTRIC PROTECTIONS	Against polarity reversal inductive loads	
TEMPERATURE LIMITS	- 25 ÷ +70 °C	
PROTECTION DEGREE	IP 67	
CABLE LENGTH	2 m	
CABLE SECTION	3 x 0,25 mm ²	
HOUSING MATERIAL	Nickel-plated brass	
WEIGHT - Cable output -	145 g	
WEIGHT - M12 connector output -	95 g	

CONNECTION WITH CONNECTOR M12



View of quadripole male connector

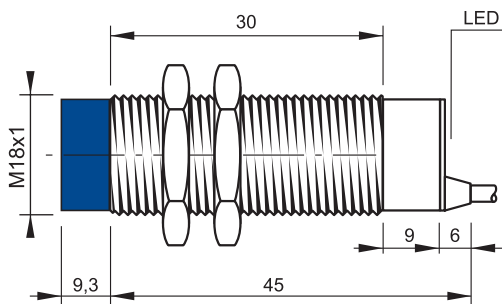
CONTACTS CONFIGURATION

Available	Contacts numbers			
	1	2	3	4
(NO + NC)	+	NC	-	NO

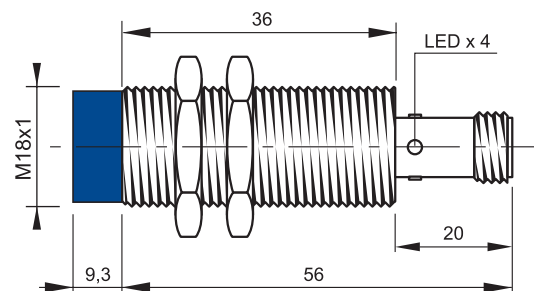


DIMENSIONS (mm)

CONFIGURATION WITH CABLE



CONFIGURATION WITH CONNECTOR M12



Note: the front part in blue refers to non flush models

12÷30 V DC - 4 WIRES PROGRAMMABLE OUTPUT

- Range, 5mm to 8mm - flush, non flush
- Programmable outputs: NPN/PNP, NO or NC
- Cable or M12 quick connect models
- Nickel plated brass

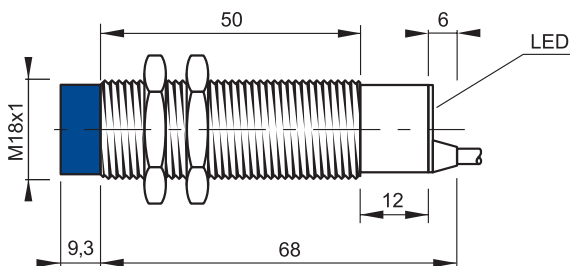
TECHNICAL DATA

	FLUSH	NON FLUSH
NOMINAL SWITCHING DISTANCE (Sn)	5 mm	8 mm
NOMINAL VOLTAGE	12 ÷ 30 VDC (-15/+10%)	
RESIDUAL RIPPLE	≤ 10%	
HYSTERESIS	< 10%	
OUTPUT	NPN or PNP (may be selected)	
CONTACT	NO or NC (may be selected)	
MAX. CURRENT OUTPUT	200 mA	
ABSORPTION AT 24 VDC	< 1.2 mA	
VOLTAGE DROP (Sensor ON)	< 1,8 V (I = 100 mA)	
OPERATION LED	Yellow	
SWITCHING FREQUENCY	1000 Hz	
START UP DELAY	≤ 50 ms	
REPEATABILITY	≤ 3%	
SHORT CIRCUIT PROTECTION	Present (self-resetting)	
ELECTRIC PROTECTIONS	Against polarity reversal - inductive loads	
TEMPERATURE LIMITS	- 25 ÷ +70 °C	
PROTECTION DEGREE	IP 67	
CABLE LENGTH	2 m	
CABLE SECTION	4 x 0.25 mm ²	
HOUSING MATERIAL	Nickel-plated brass	
WEIGHT - Cable output -	145 g	
WEIGHT - M12 connector output -	95 g	

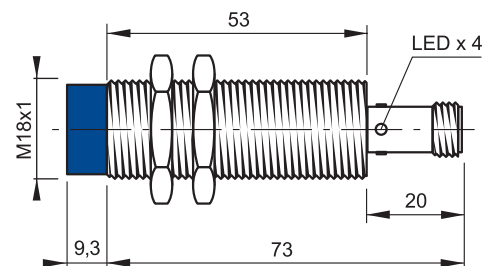


DIMENSIONS (mm)

CONFIGURATION WITH CABLE

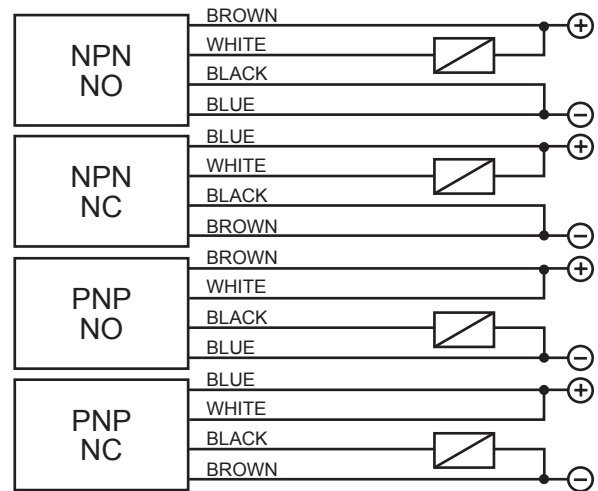


CONFIGURATION WITH CONNECTOR M12



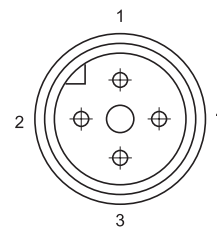
Note: the front part in blue refers to non flush models

WIRING DIAGRAMS



Thanks to the output status which is not paired with the rest of the circuit, the sensors of this kind of availability give enormous advantages, such as the possibility of obtaining the four output configurations (NPN-NO, NPN-NC, PNP-NO, PNP-NC,) on the same model.

CONNECTION WITH CONNECTOR M12



View of quadripole male connector

CONTACTS CONFIGURATION

Output	Contacts numbers			
	1	2	3	4
NPN NO	+	NO	-	-
NPN NC	-	NC	+	-
PNP NO	+	+	-	NO
PNP NC	-	+	+	NC

Ø 18 INCREASED RANGE

12÷30 V DC - 4 WIRES PROGRAMMABLE OUTPUT

- Range, 8mm to 14mm - flush, non flush
- Programmable outputs: NPN/PNP, NO or NC
- Cable or M12 quick connect models
- Nickel plated brass
- Operation LED
- 200 mA max output

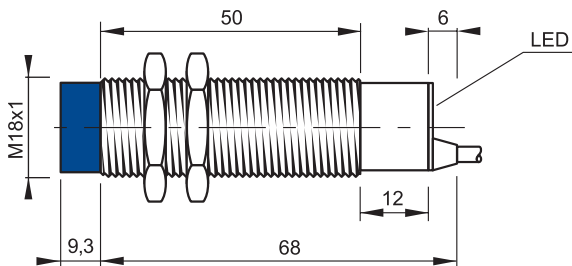
TECHNICAL DATA

	FLUSH	NON FLUSH
NOMINAL SWITCHING DISTANCE (Sn)	8 mm	14 mm
NOMINAL VOLTAGE	12 ÷ 30 VDC (-15/+10%)	
RESIDUAL RIPPLE	≤ 10%	
HYSTERESIS	< 10%	
OUTPUT	NPN or PNP (may be selected)	
CONTACT	NO or NC (may be selected)	
MAX. CURRENT OUTPUT	200 mA	
ABSORPTION AT 24 VDC	< 1.2 mA	
VOLTAGE DROP (Sensor ON)	< 1,8 V (I = 100 mA)	
OPERATION LED	Yellow	
SWITCHING FREQUENCY	400 Hz	
START UP DELAY	≤ 50 ms	
REPEATABILITY	≤ 3%	
SHORT CIRCUIT PROTECTION	Present (self-resetting)	
ELECTRIC PROTECTIONS	Against polarity reversal - inductive loads	
TEMPERATURE LIMITS	- 25 ÷ +70 °C	
PROTECTION DEGREE	IP 67	
CABLE LENGTH	2 m	
CABLE SECTION	4 x 0.25 mm ²	
HOUSING MATERIAL	Nickel-plated brass	
WEIGHT - Cable output -	145 g	
WEIGHT - M12 connector output -	95 g	

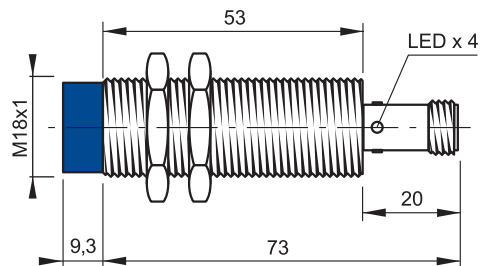


DIMENSIONS (mm)

CONFIGURATION WITH CABLE

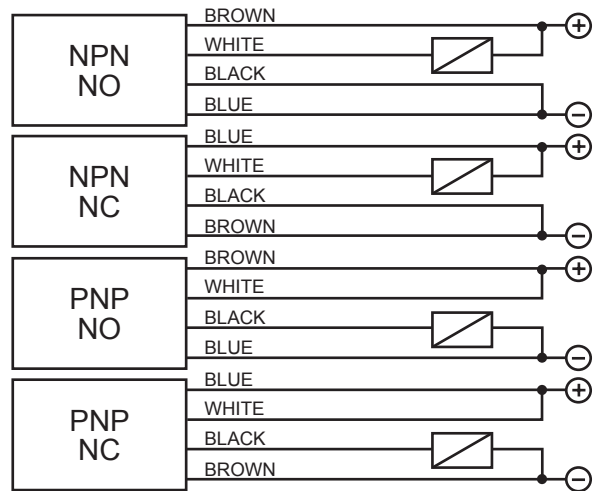


CONFIGURATION WITH CONNECTOR M12



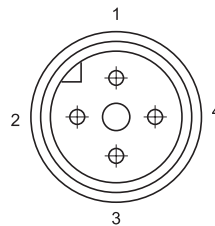
Note: the front part in blue refers to non flush models

WIRING DIAGRAMS



Thanks to the output status which is not paired with the rest of the circuit, the sensors of this kind of availability give enormous advantages, such as the possibility of obtaining the four output configurations (NPN-NO, NPN-NC, PNP-NO, PNP-NC,) on the same model.

CONNECTION WITH CONNECTOR M12



View of quadripole male connector

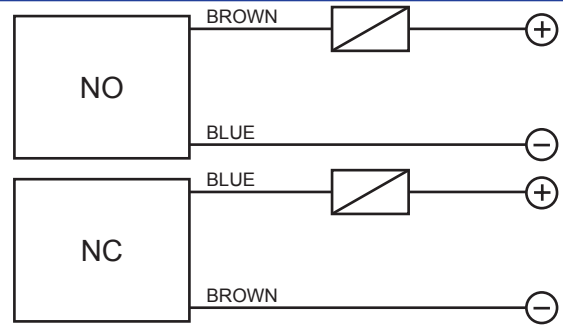
CONTACTS CONFIGURATION

Output	Contacts numbers			
	1	2	3	4
NPN NO	+	NO	-	-
NPN NC	-	NC	+	-
PNP NO	+	+	-	NO
PNP NC	-	+	+	NC

10÷30 VDC - 2 Wires NO-NC Programmable Output

- Range, 5mm to 8mm - flush, non flush
- Cable or M12 quick connect models
- Nickel plated brass

WIRING DIAGRAMS

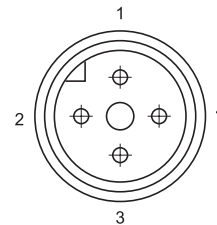


WARNING: The load can be indifferently connected in series to the blue wire or to the brown wire to simulate NPN or PNP functioning logic.

TECHNICAL DATA

	FLUSH	NON FLUSH
NOMINAL SWITCHING DISTANCE (Sn)	4 mm	8 mm
NOMINAL VOLTAGE	10 ÷ 30 VDC (-15 / +10%)	
RESIDUAL RIPPLE	≤ 10%	
HYSTERESIS	< 10%	
MAX. OUTPUT CURRENT	100 mA	
MIN. OUTPUT CURRENT	> 1,6 mA	
RESIDUAL CURRENT	< 1,6 mA	
VOLTAGE DROP	< 6,5 V (I = 100 mA)	
OPERATION LED	Yellow	
SWITCHING FREQUENCY	1000 Hz	
START UP DELAY	≤ 50 ms	
REPEATABILITY	≤ 3%	
SHORT CIRCUIT PROTECTION	Present (self-resetting)	
ELECTRIC PROTECTIONS	Against polarity reversal inductive loads	
TEMPERATURE LIMITS	- 25 ÷ +70 °C	
PROTECTION DEGREE	IP 67	
CABLE LENGTH	2 m	
CABLE SECTION	2 x 0.25 mm ²	
HOUSING MATERIAL	Nickel-plated brass	
WEIGHT - Cable output -	145 g	
WEIGHT - M12 connector output -	95 g	

CONNECTION WITH CONNECTOR M12



View of quadripole male connector

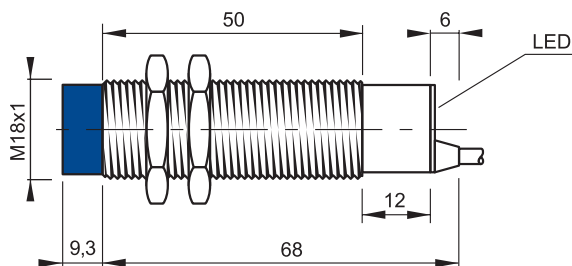
CONTACTS CONFIGURATION

Available	Contacts numbers			
	1	2	3	4
NO	+		-	
NC	-		+	

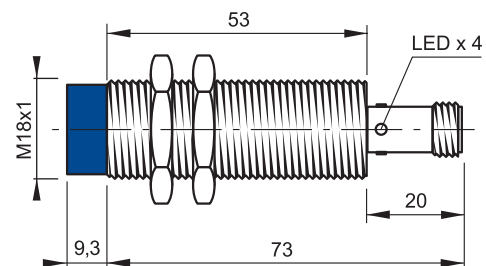


DIMENSIONS (mm)

CONFIGURATION WITH CABLE



CONFIGURATION WITH CONNECTOR M12



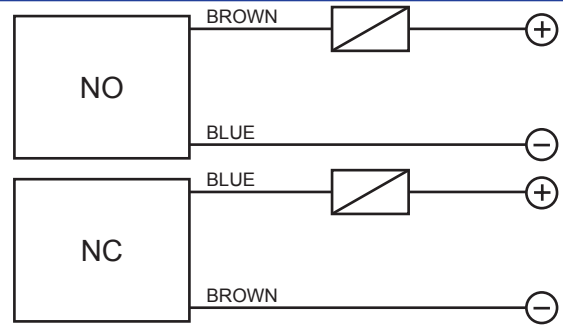
Note: the front part in blue refers to non flush models.

Ø 18 INCREASED RANGE

10÷30 V DC - 2 WIRES NO-NC PROGRAMABLE OUTPUT

- Range, 8mm to 14mm - flush, non flush
- Cable or M12 quick connect models
- Nickel plated brass

WIRING DIAGRAMS

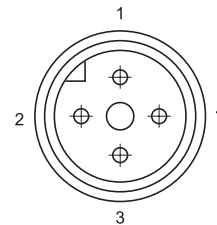


WARNING: The load can be indifferently connected in series to the blue wire or to the brown wire to simulate NPN or PNP functioning logic.

TECHNICAL DATA

	FLUSH	NON FLUSH
NOMINAL SWITCHING DISTANCE (Sn)	8 mm	14 mm
NOMINAL VOLTAGE	10 ÷ 30 VDC (-15 / +10%)	
RESIDUAL RIPPLE	≤ 10%	
HYSTERESIS	< 10%	
MAX. OUTPUT CURRENT	100 mA	
MIN. OUTPUT CURRENT	> 1,6 mA	
RESIDUAL CURRENT	< 1,6 mA	
VOLTAGE DROP	< 6,5 V (I = 100 mA)	
OPERATION LED	Yellow	
SWITCHING FREQUENCY	400 Hz	
START UP DELAY	≤ 50 ms	
REPEATABILITY	≤ 3%	
SHORT CIRCUIT PROTECTION	Present (self-resetting)	
ELECTRIC PROTECTIONS	Against polarity reversal inductive loads	
TEMPERATURE LIMITS	- 25 ÷ +70 °C	
PROTECTION DEGREE	IP 67	
CABLE LENGTH	2 m	
CABLE SECTION	2 x 0.25 mm ²	
HOUSING MATERIAL	Nickel-plated brass	
WEIGHT - Cable output -	145 g	
WEIGHT - M12 connector output -	95 g	

CONNECTION WITH CONNECTOR M12



View of quadripole male connector

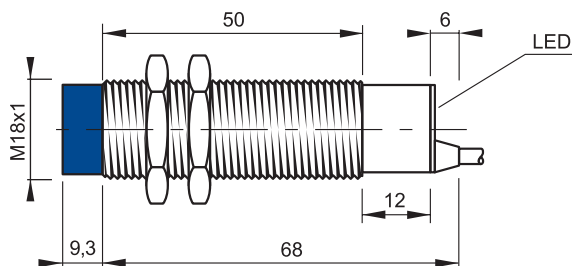
CONTACTS CONFIGURATION

Available	Contacts numbers			
	1	2	3	4
NO	+		-	
NC	-		+	

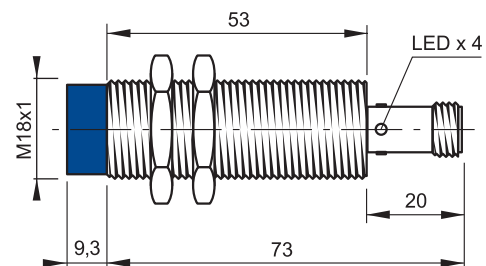


DIMENSIONS (mm)

CONFIGURATION WITH CABLE



CONFIGURATION WITH CONNECTOR M12

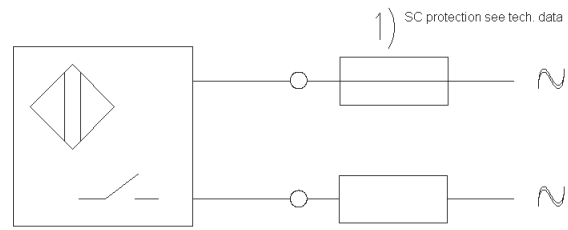


Note: the front part in blue refers to non flush models.

20÷250 V AC - 2 OR 3 WIRES NO OUTPUT

- Range, 5mm - flush
- Cable or M12 quick connect models
- Ultra low consumption < 0,7 mA
- Repeatability 5%
- 500mA max output

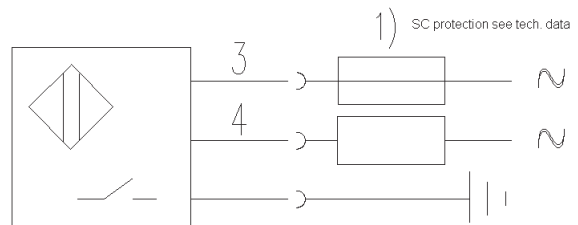
WIRING DIAGRAMS CABLE VERSION



TECHNICAL DATA

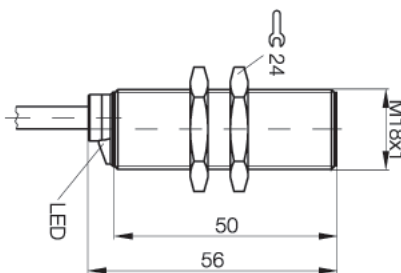
	FLUSH
NOMINAL SWITCHING DISTANCE (S _n)	2 mm
NOMINAL VOLTAGE	20 ÷ 250 VAC
NET FREQUENCY	50 ÷ 60 Hz
HYSTERESIS	< 10%
MAX. OUTPUT CURRENT	500 mA
MIN. OUTPUT CURRENT	20 mA
MAX. INRUSH CURRENT (20 ms)	1.5 A
RESIDUAL CURRENT	< 0.7 mA
VOLTAGE DROP (Sensor ON)	< 5 V (I = 100 mA)
OPERATION LED	Yellow
SWITCHING FREQUENCY	25 Hz
START UP DELAY	≤ 300 ms
REPEATABILITY	5%
TEMPERATURE LIMITS	-25 ÷ +70 °C
PROTECTION DEGREE	IP 67
CABLE LENGTH	2 m
CABLE SECTION	2 x 0.25 mm ²
HOUSING MATERIAL	Nickel-plated brass
WEIGHT - Cable output -	145 g
WEIGHT - M12 connector output -	95 g

WIRING DIAGRAMS CONNECTOR VERSION

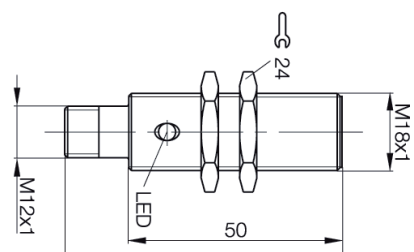


DIMENSIONS (mm)

CONFIGURATION WITH CABLE



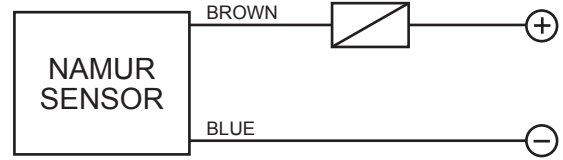
CONFIGURATION WITH CONNECTOR M12



NAMUR

- 5÷24 V DC - 2 WIRES
- Range, 5mm to 8mm - flush, non flush
- Nickel plated brass
- Cable or M12 quick connect models

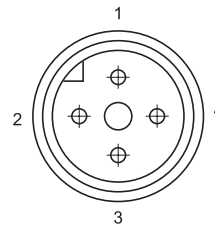
WIRING DIAGRAMS



TECHNICAL DATA

	FLUSH	NON FLUSH
NOMINAL SWITCHING DISTANCE (Sn)	5 mm	8 mm
NOMINAL VOLTAGE (Load resistance 1 K)	7.7 ÷ 9 V DC	
DC SUPPLY VOLTAGE	5 ÷ 24 V DC	
RESIDUAL RIPPLE	≤ 10%	
HYSTERESIS	≤ 10%	
OUTPUT CURRENT (Metal present)	≤ 1 mA	
OUTPUT CURRENT (Metal absent)	≤ 3 mA	
SWITCHING FREQUENCY	2000 Hz	
REPEATABILITY	≤ 3%	
TEMPERATURE LIMITS	-25 ÷ +60 °C	
PROTECTION DEGREE	IP 67	
DEVICE MARKING	II 3D IP67 T6X	
CABLE LENGTH	2 m	
CABLE SECTION	2 x 0.25 mm ²	
HOUSING MATERIAL	Nickel-plated brass	
WEIGHT - Cable output -	145 g	
WEIGHT - M12 connector output -	95 g	

CONNECTION WITH CONNECTOR M12



View of quadripole male connector

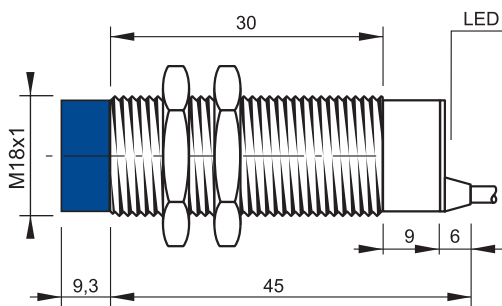
CONTACTS CONFIGURATION

Available	Contacts numbers			
	1	2	3	4
NAMUR	+		-	

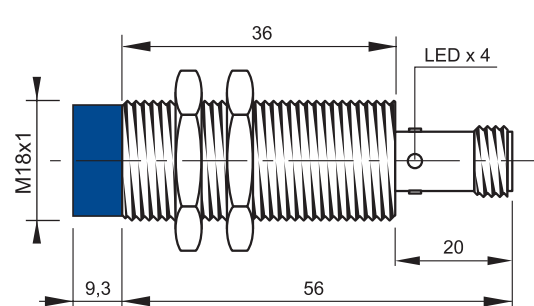


DIMENSIONS (mm)

CONFIGURATION WITH CABLE



CONFIGURATION WITH CONNECTOR M12



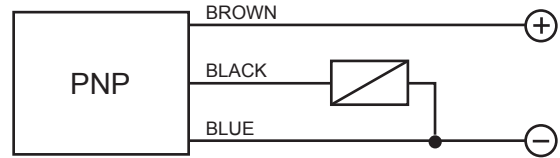
Note: the front part in blue refers to non flush models

Ø 18 WELD FIELD IMMUNE

10÷30 VDC - 3 WIRES PNP OUTPUT

- Range, 5mm to 8mm - flush, non flush
- Stainless steel housing
- M12 quick connect models
- Operation LED

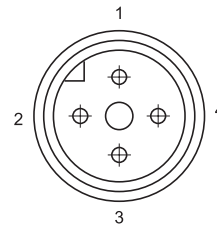
WIRING DIAGRAMS



TECHNICAL DATA

	FLUSH	NON FLUSH
NOMINAL SWITCHING DISTANCE (Sn)	5 mm	8 mm
NOMINAL VOLTAGE	10 ÷ 30 VDC (-15 / +10%)	
RESIDUAL RIPPLE	≤ 10%	
HYSTERESIS	< 15%	
MAX. OUTPUT CURRENT	200 mA	
RESIDUAL CURRENT	< 10 mA	
VOLTAGE DROP (Sensor ON)	< 1.5 V (I = 100 mA)	
OPERATION LED	Present	
SWITCHING FREQUENCY	1000 Hz	500 Hz
REPEATABILITY	≤ 1%	
SHORT CIRCUIT PROTECTION	Present (self-resetting)	
TEMPERATURE LIMITS	- 25 ÷ +70 °C	
PROTECTION DEGREE	IP 67	
ACTIVE FACE MATERIAL	ETFE	
HOUSING MATERIAL	Stainless Steel	
WEIGHT - M12 Connector output -	95 g	

CONNECTION WITH CONNECTOR M12



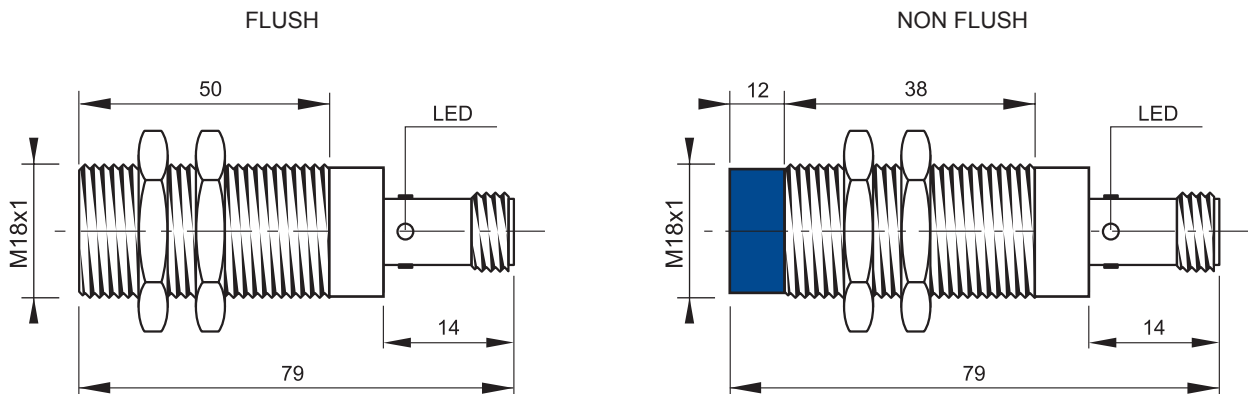
View of quadripole male connector

CONTACTS CONFIGURATION

Available	Contacts numbers			
	1	2	3	4
NO	+		-	NO



DIMENSIONS (mm)

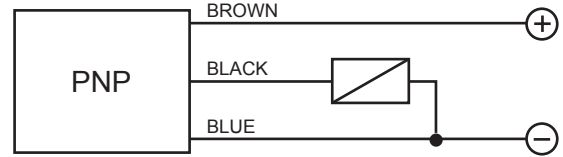


Ø 18 METAL FACE

10÷30 VDC - 3 WIRES PNP OUTPUT

- Range, 5mm to 8mm - flush, non flush
- Stainless steel housing
- M12 quick connect models
- Operation LED

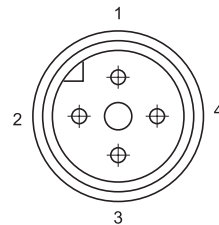
WIRING DIAGRAMS



TECHNICAL DATA

	FLUSH	NON FLUSH
NOMINAL SWITCHING DISTANCE (Sn)	5 mm	8 mm
NOMINAL VOLTAGE	10 ÷ 30 VDC (-15 / +10%)	
RESIDUAL RIPPLE	≤ 10%	
HYSTERESIS	< 15%	
MAX. OUTPUT CURRENT	200 mA	
RESIDUAL CURRENT	< 10 mA	
VOLTAGE DROP (Sensor ON)	< 1.5 V (I = 100 mA)	
OPERATION LED	Present	
SWITCHING FREQUENCY	1000 Hz	500 Hz
REPEATABILITY	≤ 1%	
SHORT CIRCUIT PROTECTION	Present (self-resetting)	
TEMPERATURE LIMITS	- 25 ÷ +70 °C	
PROTECTION DEGREE	IP 67	
ACTIVE FACE MATERIAL	Stainless Steel	
HOUSING MATERIAL	Stainless Steel	
WEIGHT - M12 Connector output -	95 g	

CONNECTION WITH CONNECTOR M12



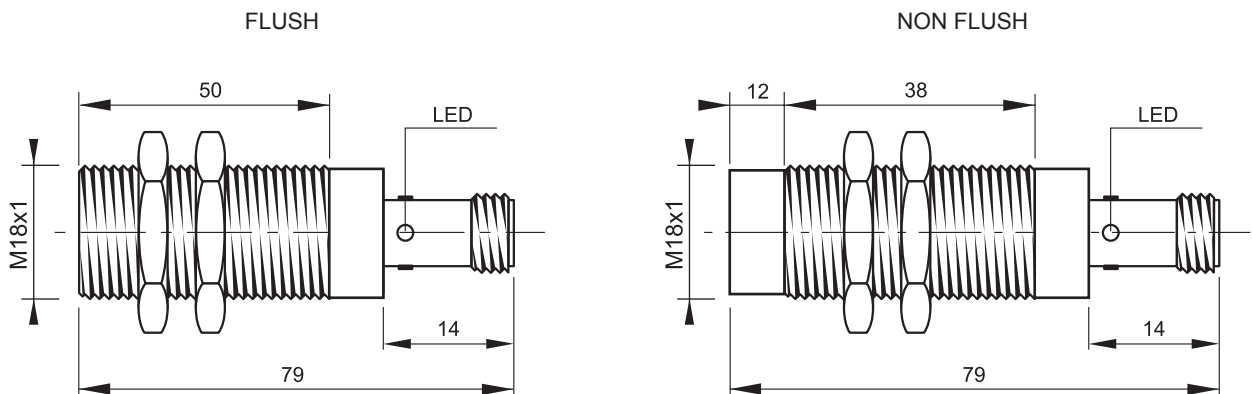
View of quadripole male connector

CONTACTS CONFIGURATION

Available	Contacts numbers			
	1	2	3	4
NO	+		-	NO



DIMENSIONS (mm)



MODEL SELECTION AND ORDER INFORMATION
2MT CABLE

CODE	MODEL	RANGE	HOUSING	STEEL AISI316L	FLUSH	WIRES	NPN/PNP	NO/NC
95B061301	IS-18-A3-03	1X	STANDARD		•	3	NPN	NO
95B062101	IS-18-B3-03	1X	SHORT		•	3	NPN	NO
95B061321	IS-18-A4-03	1X	STANDARD		•	3	NPN	NC
95B062121	IS-18-B4-03	1X	SHORT		•	3	NPN	NC
95B061341	IS-18-A1-03	1X	STANDARD		•	3	PNP	NO
95B062141	IS-18-B1-03	1X	SHORT		•	3	PNP	NO
95B061361	IS-18-A2-03	1X	STANDARD		•	3	PNP	NC
95B062161	IS-18-B2-03	1X	SHORT		•	3	PNP	NC
95B061701	IS-18-C3-03	1X	STANDARD			3	NPN	NO
95B062501	IS-18-D3-03	1X	SHORT			3	NPN	NO
95B061721	IS-18-C4-03	1X	STANDARD			3	NPN	NC
95B062521	IS-18-D4-03	1X	SHORT			3	NPN	NC
95B061741	IS-18-C1-03	1X	STANDARD			3	PNP	NO
95B062541	IS-18-D1-03	1X	SHORT			3	PNP	NO
95B061761	IS-18-C2-03	1X	STANDARD			3	PNP	NC
95B062561	IS-18-D2-03	1X	SHORT			3	PNP	NC
95B063061	IS-18-G3-03	2X	SHORT		•	3	NPN	NO
95B063501	IS-18-G4-03	2X	SHORT		•	3	NPN	NC
95B063521	IS-18-G1-03	2X	SHORT		•	3	PNP	NO
95B063541	IS-18-G2-03	2X	SHORT		•	3	PNP	NC
95B063561	IS-18-H3-03	2X	SHORT			3	NPN	NO
95B063581	IS-18-H4-03	2X	SHORT			3	NPN	NC
95B063601	IS-18-H1-03	2X	SHORT			3	PNP	NO
95B063621	IS-18-H2-03	2X	SHORT			3	PNP	NC
95B062721	IS-18-G5-03	2X	SHORT		•	4	PNP	NO-NC
95B063811	IS-18-G9-03	2X	SHORT		•	2		PROG
95B063851	IS-18-G0-03	2X	SHORT		•	4	PROG	PROG
95B064200	IS-18-G6-03	2X	SHORT		•	4	NPN	NO-NC
95B064210	IS-18-H6-03	2X	SHORT			4	NPN	NO-NC
95B064220	IS-18-H5-03	2X	SHORT			4	PNP	NO-NC
95B064230	IS-18-A0-03	1X	STANDARD		•	4	PROG	
95B064240	IS-18-B0-03	1X	SHORT			4	PROG	
95B064250	IS-18-H0-03	2X	SHORT			4	PROG	PROG
95B064300	IS-18-A9-03	1X	STANDARD		•	2		PROG
95B064310	IS-18-B9-03	1X	SHORT			2		PROG
95B064320	IS-18-H9-03	2X	SHORT			2		PROG
95B064360	IS-18-A20-03	1X	STANDARD		•	2		
95B064370	IS-18-C20-03	1X	STANDARD			2		
95B060770	IS-18-A15-03	1X	STANDARD		•	2		NO

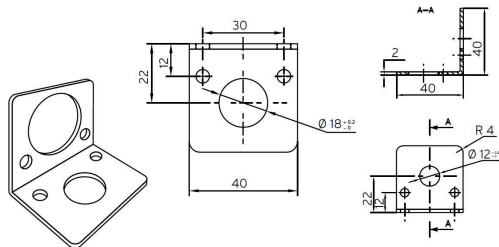
MODEL SELECTION AND ORDER INFORMATION

M12 CONNECTOR

CODE	MODEL	RANGE	HOUSING	STEEL AISI316L	FLUSH	WIRES	NPN/PNP	NO/NC
95B060340	IS-18-M3-S2	1X	SHORT	•	•	3	NPN	NO
95B060350	IS-18-M4-S2	1X	SHORT	•	•	3	NPN	NC
95B060320	IS-18-M1-S2	1X	SHORT	•	•	3	PNP	NO
95B060330	IS-18-M2-S2	1X	SHORT	•	•	3	PNP	NC
95B060380	IS-18-N3-S2	1X	SHORT	•	•	3	NPN	NO
95B060390	IS-18-N4-S2	1X	SHORT	•	•	3	NPN	NC
95B060360	IS-18-N1-S2	1X	SHORT	•	•	3	PNP	NO
95B060370	IS-18-N2-S2	1X	SHORT	•	•	3	PNP	NC
95B061311	IS-18-A3-S2	1X	STANDARD	•	•	3	NPN	NO
95B062111	IS-18-B3-S2	1X	SHORT	•	•	3	NPN	NO
95B061331	IS-18-A4-S2	1X	STANDARD	•	•	3	NPN	NC
95B062131	IS-18-B4-S2	1X	SHORT	•	•	3	NPN	NC
95B061351	IS-18-A1-S2	1X	STANDARD	•	•	3	PNP	NO
95B062151	IS-18-B1-S2	1X	SHORT	•	•	3	PNP	NO
95B061371	IS-18-A2-S2	1X	STANDARD	•	•	3	PNP	NC
95B062171	IS-18-B2-S2	1X	SHORT	•	•	3	PNP	NC
95B061711	IS-18-C3-S2	1X	STANDARD	•	•	3	NPN	NO
95B062511	IS-18-D3-S2	1X	SHORT	•	•	3	NPN	NO
95B061731	IS-18-C4-S2	1X	STANDARD	•	•	3	NPN	NC
95B062531	IS-18-D4-S2	1X	SHORT	•	•	3	NPN	NC
95B061751	IS-18-C1-S2	1X	STANDARD	•	•	3	PNP	NO
95B062551	IS-18-D1-S2	1X	SHORT	•	•	3	PNP	NO
95B061771	IS-18-C2-S2	1X	STANDARD	•	•	3	PNP	NC
95B062571	IS-18-D2-S2	1X	SHORT	•	•	3	PNP	NC
95B063491	IS-18-G3-S2	2X	SHORT	•	•	3	NPN	NO
95B063511	IS-18-G4-S2	2X	SHORT	•	•	3	NPN	NC
95B063531	IS-18-G1-S2	2X	SHORT	•	•	3	PNP	NO
95B063551	IS-18-G2-S2	2X	SHORT	•	•	3	PNP	NC
95B063571	IS-18-H3-S2	2X	SHORT	•	•	3	NPN	NO
95B063591	IS-18-H4-S2	2X	SHORT	•	•	3	NPN	NC
95B063611	IS-18-H1-S2	2X	SHORT	•	•	3	PNP	NO
95B063631	IS-18-H2-S2	2X	SHORT	•	•	3	PNP	NC
95B060100	IS-18-O3-S2	2X	SHORT	•	•	3	NPN	NO
95B060110	IS-18-O4-S2	2X	SHORT	•	•	3	NPN	NC
95B060080	IS-18-O1-S2	2X	SHORT	•	•	3	PNP	NO
95B060090	IS-18-O2-S2	2X	SHORT	•	•	3	PNP	NC
95B060140	IS-18-P3-S2	2X	SHORT	•	•	3	NPN	NO
95B060150	IS-18-P4-S2	2X	SHORT	•	•	3	NPN	NC
95B060120	IS-18-P1-S2	2X	SHORT	•	•	3	PNP	NO
95B060130	IS-18-P2-S2	2X	SHORT	•	•	3	PNP	NC
95B062711	IS-18-G6-S2	2X	SHORT	•	•	4	NPN	NO-NC
95B062731	IS-18-G5-S2	2X	SHORT	•	•	4	PNP	NO-NC
95B062791	IS-18-H6-S2	2X	SHORT	•	•	4	NPN	NO-NC
95B062811	IS-18-H5-S2	2X	SHORT	•	•	4	PNP	NO-NC
95B063941	IS-18-A9-S2	1X	STANDARD	•	•	2		PROG
95B064260	IS-18-A0-S2	1X	STANDARD	•	•	4	PROG	PROG
95B064270	IS-18-G0-S2	2X	SHORT	•	•	4	PROG	PROG
95B064280	IS-18-B0-S2	1X	SHORT	•	•	4	PROG	PROG
95B064290	IS-18-H0-S2	2X	SHORT	•	•	4	PROG	PROG
95B064330	IS-18-G9-S2	2X	SHORT	•	•	2		PROG
95B064340	IS-18-B9-S2	1X	SHORT	•	•	2		PROG
95B064350	IS-18-H9-S2	2X	SHORT	•	•	2		PROG
95B064380	IS-18-A20-S2	1X	STANDARD	•	•	2		
95B064390	IS-18-C20-S2	1X	STANDARD	•	•	2		
95B060780	IS-18-A15-S2	1X	STANDARD	•	•	2		NO
95B065350	IS-18-I1-S2	1X	STANDARD	•	•	2	PNP	NO
95B063881	IS-18-L1-S2	1X	STANDARD	•	•	2	PNP	NO
95B065380	IS-F18-S1-S2	1X	STANDARD	•	•	2	PNP	NO
95B065390	IS-F18-T1-S2	1X	STANDARD	•	•	2	PNP	NO

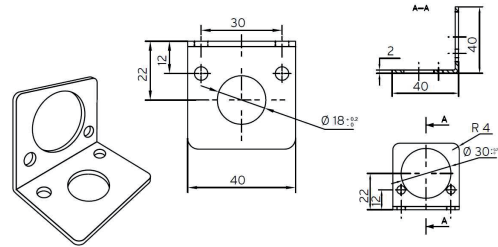
ACCESSORY SELECTION AND ORDER INFORMATION

CODE	MODEL	DESCRIPTION
95ACC3340	ST1218	ST1218 Brackets M12/M18 sensors
95ACC3350	ST1830	ST1830 Brackets M18/M30 sensors



Material: stainless steel.

Weight 40 g



Material: stainless steel.

Weight 40 g

MODEL DESCRIPTION

IS - 04 - A1 - 03

DIAMETER

- 04 = 4mm
- 05 = 5mm
- 65 = 6,5mm
- 08 = 8mm
- 12 = 12mm
- 18 = 18mm
- 30 = 30mm
- 40 = 40x40mm SQUARE
- 80 = 80x80mm SQUARE
- 88 = 8x8mm SQUARE

CONSTRUCTION

- A= flush standard housing
- B= flush short housing
- BB= flush extra short housing
- C= non flush standard housing
- D= non flush short housing
- E= flush standard housing double range
- F= non flush standard housing double range
- G= flush short housing double range
- GG= flush extra short housing double range
- H= non flush short housing double range
- I= flush standard housing metal face
- L= non flush standard housing metal face
- M= flush short housing steel
- N= non flush short housing steel
- O= flush short housing steel double range
- P= non flush short housing steel double range
- Q= flush 8x8mm square housing
- R= flush 8x8mm square housing double range
- S= flush standard housing steel
- T= non flush standard housing steel
- U= flush standard housing steel double range
- V= non flush standard housing steel double range
- W= flush 40x40mm square housing
- X= flush 40x40mm short square housing
- Y= non flush 40x40mm square housing
- Z= non flush 40x40mm short square housing

OUTPUT

- 1 = 10-30 Vdc PNP NO
- 2 = 10-30 Vdc PNP NC
- 3 = 10-30 Vdc NPN NO
- 4 = 10-30 Vdc NPN NC
- 5 = 10-30 Vdc PNP NO-NC
- 6 = 10-30 Vdc NPN NO-NC
- 7 = 24-230Vac – 2 wires NO
- 8 = 24-230Vac – 2 wires NC
- 9 = 10-30 Vdc - 2 wires NO-NC
- 0 = 10-30 Vdc - 4 wires
- 11 = Analog 4-20mA
- 12 = Analog 0-10V
- 13 = Analog 0-10V/4-20mA
- 14 = Analog 0-5V/1-5mA
- 15 = 20-250Vac/Vdc-2 and 3 wires NO
- 20 = NAMUR

CONNECTION

- 02 = Cable 500mm
- 03 = Cable 2mt
- 04 = Cable 700mm
- S1 = M8 connector
- S2 = M12 connector
- S3 = terminal block*
- S4 = unif 1/2"

* only for square housing version

Note: Not all code combinations are available. Please refer to alphabetical model index for the list of available models.



The company endeavours to continuously improve and renew its products; for this reason the technical data and contents of this catalogue may undergo variations without prior notice. For correct installation and use, the company can guarantee only the data indicated in the instruction manual supplied with the products.