

Digital Fiber Amplifier



D3RF/D3IF Series

D3RF-T D3IF-T
 D3RF-TC 4 D3IF-TC 4
 D3RF-TD

Instruction Manual

Thank you for purchasing D3RF Series. We hope you are fully satisfied with this product and enjoy its performance. Carefully read this instruction manual and keep it for future reference.

Carefully read and understand the safety precautions before operation. The important information is provided to protect your health and property. Do not apply any other installing or operating procedure other than that described in this manual.

Safety Precautions



It is dangerous to wire or attach/remove the connector with the power on. Make sure to turn off the power before operation.

Make sure to use the product with the protective cover attached and closed.

Installing in the following places may result in malfunction:

1. A dusty or steamy place.
2. A place generating corrosive gas.
3. A place directly receiving scattering water or oil.
4. A place suffered from heavy vibration or impact.

The product is not designed for outdoor use.

Do not use the sensor in transient state after power on (approx. 300ms).

Do not wire with the high voltage cable or the power line. Failure to do this will cause malfunction by induction or damage.

The sensor performance or digital display values may depend on the individual units or the condition of detected product.

This product is not an explosion-proof construction. Do not use the product under flammable, explosive gas or liquid environment.

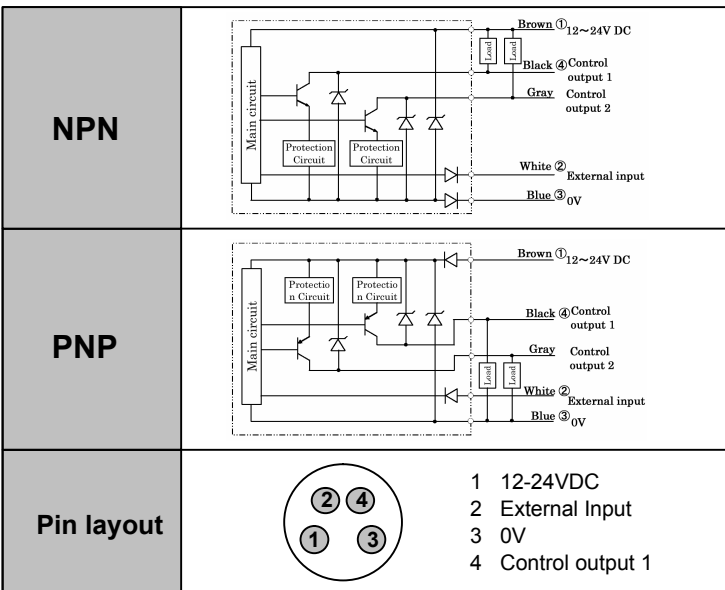
Do not use the product in water.

Do not disassemble, repair, or convert the product.

Failure to do this may cause failure, fire, or electric shock. Operate within the rated range.

This product cannot be used as a safety device to protect human body.

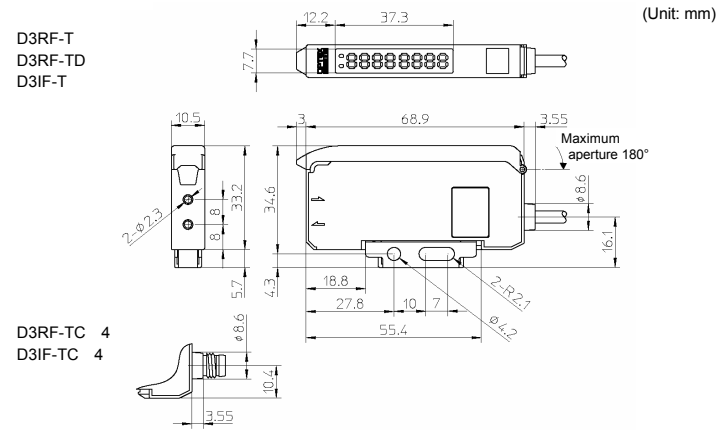
Input/Output Schematic



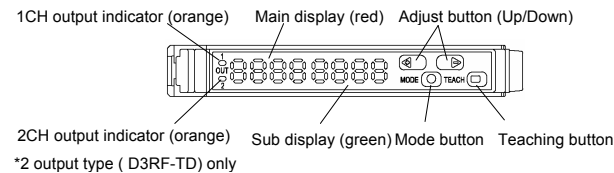
Specifications

Model	Standard type	Moisture sensing type
Cable Type	1 output: D3RF-T (N/P) 2 output: D3RF-TD (N/P)	D3IF-T (N/P)
M8 Connector Type	1 output: D3RF-TC (N/P) 4 2 output: -	D3IF-TC (N/P) 4
Power source, voltage	12-24VDC±10%including a ripple	
Power consumption	Normal: 1 output: 864mW max.(36mA or less / 24V), 2 output: 936mW max.(39mA or less / 24V) Eco All: 1 output: 600mW max.(25mA or less / 24V), 2 output: 672mW max.(28mA or less / 24V)	
Response Time	1-HS:16µs / 2-FS:70µs / 3-ST:250µs / 4-LG:500µs / 5-PL:1ms / 6-UL:2ms / 7-EL:8ms	
Control output	1 output / 2 output, NPN / PNP Open collector 100mA / 30V or less Load current: 100mA or less, Residual voltage: 1.8V or less	
Output method	Light on / Dark on Switching type in the function	
Short-circuit protection	Incorporated	
Light source	Red LED (632nm)	IR LED (1,450nm)
Indicator light / Display	1 output: Output Indicator light: Orange (Ch 1) / 7 segment 8 digit display 2 output: Output Indicator light: Orange (Ch 1 / Ch 2) / 7 segment 8 digit display	-
Sensitivity setting	Teaching / Manual adjustment	
Timer function	OFF, On delay timer, Off delay timer, One-shot timer, On delay-off delay timer, On delay-one-shot timer	
Timer time	0.1ms~9.999s	
External input setting	Teach-in, Emitter stop, Synchronous, Counter reset (only for 2 output type)	
Output setting	1 output: Output 1 2 output: Output 2	-
Operating temperature / humidity	-25~+55°C/35~85%RH (No freezing and No condensation)	
Store temperature / humidity	-30~+70°C/35~85%RH (No freezing and No condensation)	
Shock resistance	10~55Hz Amplitude 1.5mm 2 hours for each direction of X, Y and Z	
Protective category	IP50	
Material	PC: Cover, Case	
Weight	Cable type: 71g (Including cordes) M8 Connector type: 25g	

Dimensions



Display/Indicator/Buttons



Installing Amplifier

Mounting and Removing to/from DIN rail

Mounting of Amplifier Unit
Hook the claw on the connecting side of fiber cable to the DIN rail. Then press down the hook until it locks.

Removing of Amplifier Unit
Pushing the unit to the direction of , hold up the connecting side of fiber cable and remove the unit.

How to connect the fiber cables

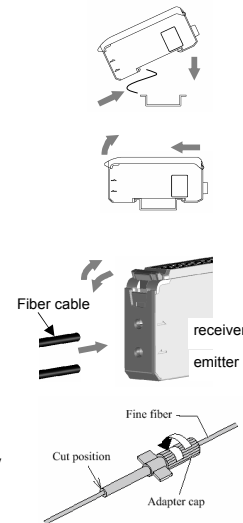
Open fiber lock lever.
Insert fiber into holes to stop.
Return fiber lock lever until it stops.

CAUTION

With Coaxial reflection fiber, set single core fiber or white-lined fiber

How to use Fine fiber

Turn adapter cap anticlockwise completely, then appropriately insert the fiber.
Cut the excess fiber with fiber cutter.



Display and Buttons

Switching display

Display shows as follows according to its mode

Operating (RUN mode)	Setup	Teaching
It shows as example when it's actually detecting object. It goes to this mode after power up. Ex.) 200 100 Sensing Threshold level	It switches to this Setup mode by pressing "MODE" button over 3 seconds. Ex.) L--d L on Function Setup Value	It switches to this Teaching mode by pressing "TEACH" button over 3 seconds. Ex.) 2Pt 1Pt Mode of teaching

Buttons

Buttons work as follows according to its mode

Buttons	Operating (RUN mode)	Setup / Teaching
Adjust (+ UP)	Increase threshold level	Change the Setup function and mode of Teaching
Adjust (- DOWN)	Decrease threshold level	
MODE	Switch to Setup mode	Set the setup
TEACHING	Switch to Teaching mode	Execute Teaching

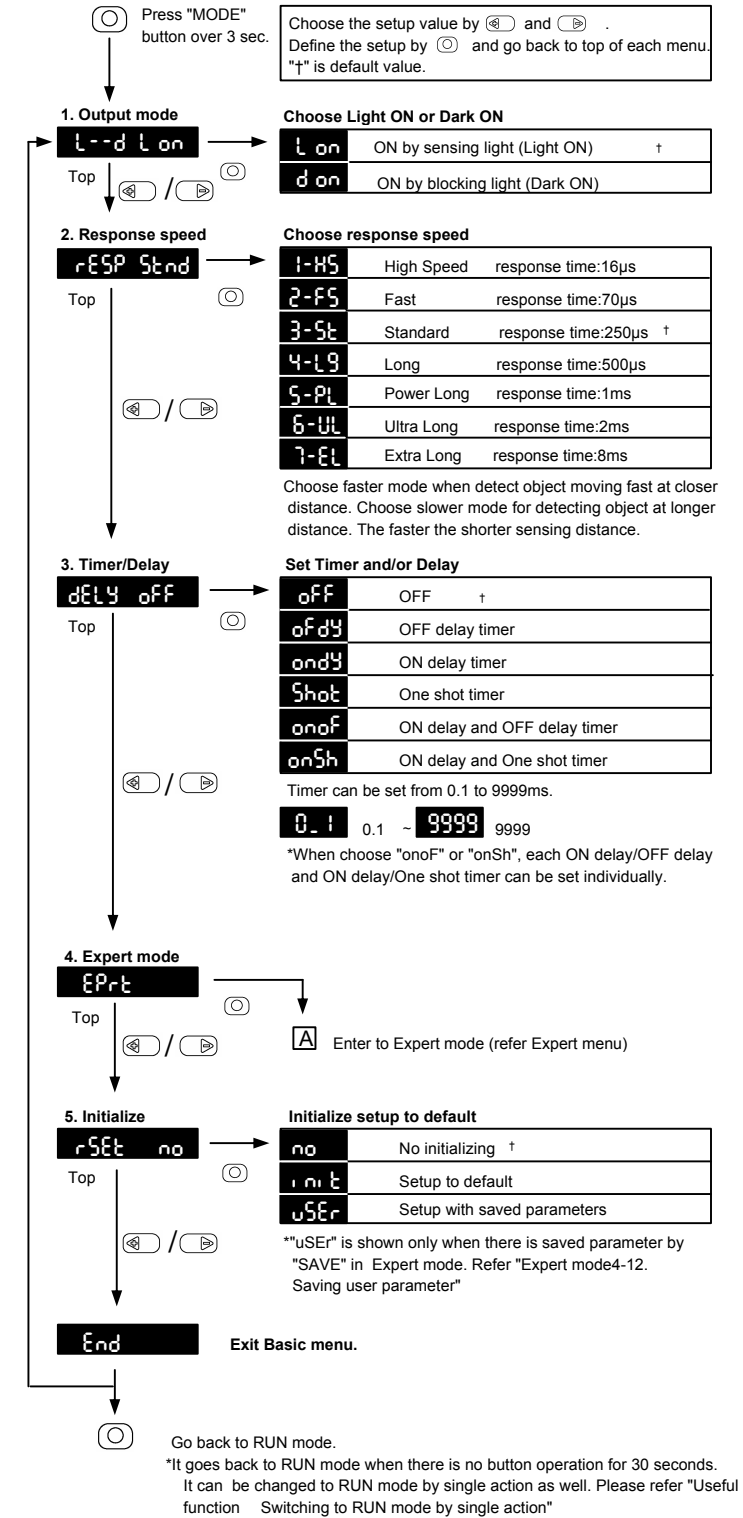
Setup menu

Basic menu		
These are basic menu that to be setup before using. Please refer Expert menu for further setup function.		
Display	Menu	Function
L--d	Output mode	Switch Light ON and Dark ON
rESP	Response speed	Set response speed
dELY	Timer/Delay	Set Timer and Delay
EPrt	Expert mode	Enter to Expert mode (refer Expert menu)
rSEt	Initialize	Initialize setup to default
End	Exit	Exit setup mode

Expert menu		
These are menu for function that setup in detail. Expert menu is available from "Eprt" in Basic menu.		
Display	Menu	Function
0-rSt	Zero reset	Set main display to 0 (zero).
d.SP	Display mode	Set display mode for operating (RUN mode)
Eco	Eco mode	Set Eco mode
tUrN	Rotation	Rotate the display 180 degree
HYS	Hysteresis	Specify hysteresis percentage
PrCS	Detection mode	Set detection mode (edge/level)
cnt	Counter	Switch ON/OFF Counter and specify UP/DOWN direction
INPt	External input	Set function of external input
ASc	ASC	Set ON/OFF ASC (Automatic Sensitivity Control)
SPor	Emitter Power	Specify Emitter power
LoCl	Lock level	Specify level of Key Lock
SAvE	Save	Save the current setup
End EPrt	Exit	Exit expert menu
Loc	Lock	Lock buttons (refer useful function)

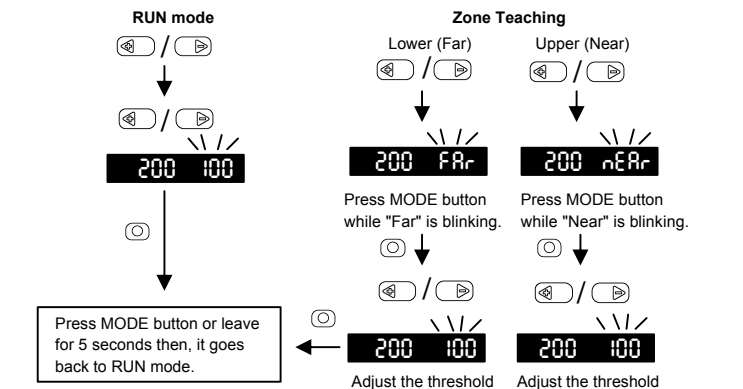
Teaching menu		
Threshold level can be set by these menu. Please refer "Teaching".		
Display	Menu	Function
2Pt	2 Point Teaching	Set the threshold at the center between with object and without object.
1Pt	1 Point Teaching	Set the threshold at minimum level that can detect object stably with.
tHru	Through Teaching	Set the threshold at around 90% of sensing level without object for through beam application.
ZonE	Zone Teaching	Set the threshold at around sensing level ± 10%.
Auto	Automatic Teaching	Set the threshold at the center between maximum and minimum level.
P-t	Percent Teaching	Threshold can be set any percentage.
0P-t	Zero % Teaching	Set the threshold at any percentage and execute zero reset.
End tEch	End of Teaching	Exit Teaching mode.

Basic setup



Setup Threshold manually

At RUN mode, press or then, threshold display blinks that shows it can be adjusted. Adjust the threshold by or . You can adjust upper and lower threshold when it's Zone Teaching mode.



Digital Fiber Amplifier



D3RF Series

- D3RF-TM D3RF-TDM
- D3RF-TMC 4
- D3RF-TS D3RF-TDS
- D3RF-TSC 4

Instruction Manual

Thank you for purchasing D3RF Series. We hope you are fully satisfied with this product and enjoy its performance. Carefully read this instruction manual and keep it for future reference.

Carefully read and understand the safety precautions before operation. The important information is provided to protect your health and property. Do not apply any other installing or operating procedure other than that described in this manual.

Safety Precautions



It is dangerous to wire or attach/remove the connector with the power on. Make sure to turn off the power before operation.

Make sure to use the product with the protective cover attached and closed.

Installing in the following places may result in malfunction:

1. A dusty or steamy place.
2. A place generating corrosive gas.
3. A place directly receiving scattering water or oil.
4. A place suffered from heavy vibration or impact.

The product is not designed for outdoor use.

Do not use the sensor in transient state after power on (approx. 300ms).

Do not wire with the high voltage cable or the power line. Failure to do this will cause malfunction by induction or damage.

The sensor performance or digital display values may depend on the individual units or the condition of detected product.

This product is not an explosion-proof construction. Do not use the product under flammable, explosive gas or liquid environment.

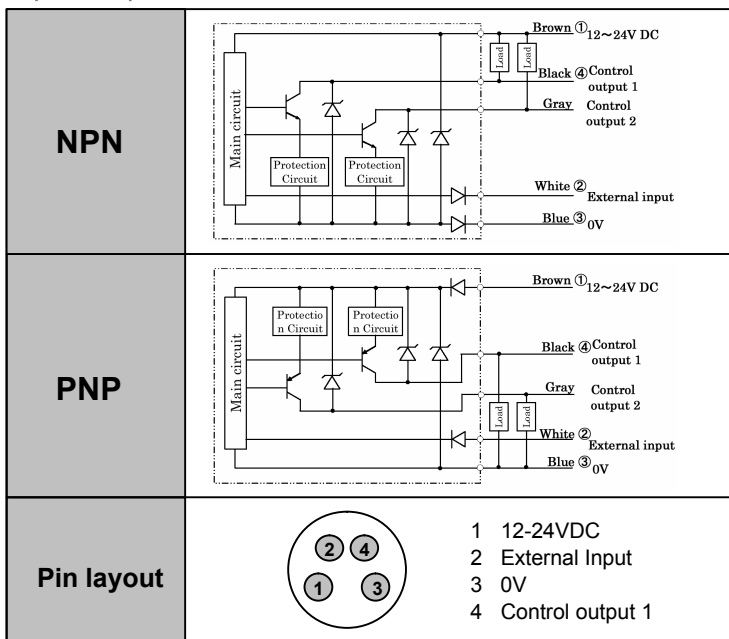
Do not use the product in water.

Do not disassemble, repair, or convert the product.

Failure to do this may cause failure, fire, or electric shock. Operate within the rated range.

This product cannot be use as a safety device to protect human body.

Input/Output Schematic



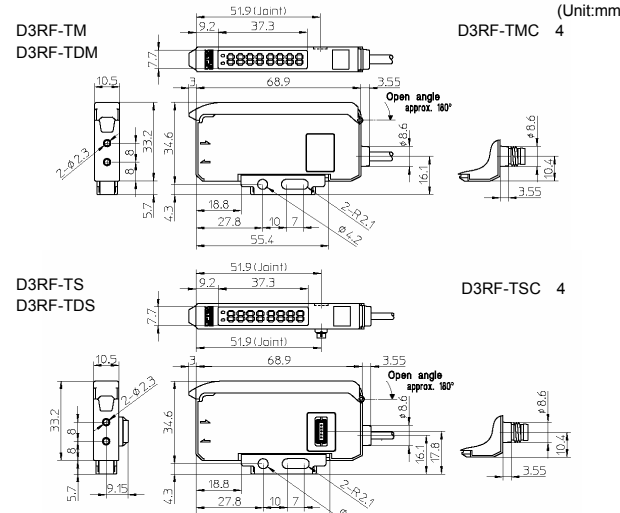
* Slave unit doesn't have the power supply cables (Brown and Blue).
* Gray line (Control output 2) is only for the 2 output type (D3RF-TDM/S)

Specifications

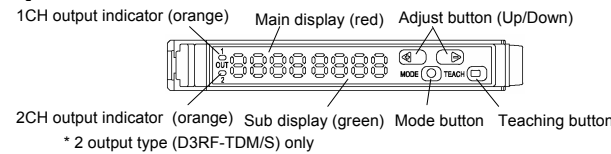
Cable Type		Master unit	Slave unit	Model
1 output	2 output	1 output		D3RF-TM (N/P)
		2 output		D3RF-TDM (N/P)
1 output	2 output	1 output		D3RF-TS (N/P)
		2 output		D3RF-TDS (N/P)
M8 Connector Type	Slave unit	1 output		D3RF-TMC (N/P)4
		2 output		D3RF-TSC (N/P)4
Power source, voltage				12-24VDC±10%including a ripple
Power consumption		Normal	Eco All	1 output : 864mW max.(36mA or less / 24V), 2 output : 936mW max.(39mA or less / 24V) 1 output : 600mW max.(25mA or less / 24V), 2 output : 672mW max.(28mA or less / 24V)
Response Time				1-HS: 16μs (no interconnection), 22μs (interconnected) / 2-FS: 70μs (no interconnection), 85μs (interconnected) 3-ST: 250μs / 4-LG: 500μs / 5-PL: 1ms / 6-UL: 2ms / 7-EL: 8ms
Control output				1 output / 2 output : NPN / PNP Open collector 100mA / 30V or less Load current : 100mA or less, Residual voltage : 1.8V or less
Output method				Light on / Dark on Switching type in the function
Short-circuit protection				Incorporated
Light source				Red LED (632nm)
Indicator light / Display		1 output	2 output	Output Indicator light : Orange (Ch 1) / 7 segment 8 digit display Output Indicator light : Orange (Ch 1 / Ch 2) / 7 segment 8 digit display
Sensitivity setting				Teaching / Manual adjustment
Timer function				OFF, On delay timer, Off delay timer, One-shot timer, On delay-off delay timer, On delay-one shot timer
Timer time				0.1ms~9.999s
External input setting				Teach-in, Emitter stop, Synchronous, Counter reset (only for 2 output type)
Output setting		1 output	2 output	Output 1 Output 2
Number of cross talk prevention				1-HS: 2units/ 2-FS: 3-ST: 4units/ 4-LG: 5-PL: 8units/ 6-UL: 7-EL: 12units *1
Operating temperature / humidity				-25~+55°C/35~85%RH (No freezing and No condensation) *2
Store temperature / humidity				-30~+70°C/35~85%RH (No freezing and No condensation)
Shock resistance				10~55Hz Amplitude 1.5mm 2 hours for each direction of X, Y and Z
Protective category				IP50
Protective category				PC : Cover, Case
Weight				Cable type : 71g (Including cordes) M8 Connector type : 25g

*1 These mean maximum number of units can be prevented cross talk. Response Time of every unit must be set same mode.
*2 Temp., Maximum units interconnected: -25°C~55°C/ 3 units (output current: 100mA max.), -25°C~50°C/ 8 units (output current: 50mA max.), -25°C~45°C/ 16 units (output current: 20mA max.)

Dimensions



Display/Indicator/Buttons



Installing Amplifier

Mounting and Removing to/from DIN rail

Mounting of Amplifier Unit

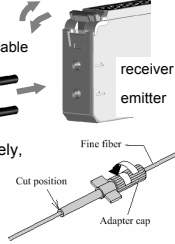
Hook the claw on the connecting side of fiber cable to the DIN rail. Then press down the hook until it locks.

Removing of Amplifier Unit

Pushing the unit to the direction of , hold up the connecting side of fiber cable and remove the unit.

How to connect the fiber cables

Open fiber lock lever.
Insert fiber into holes to stop.
Return fiber lock lever until it stops.



CAUTION

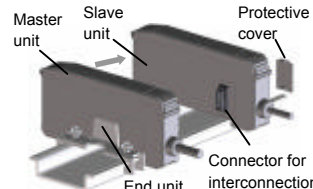
With Coaxial reflection fiber, set single core fiber or white-lined fiber to the emitter. Then set Multi core fiber to the receiver.

How to use Fine fiber

Turn adapter cap anticlockwise completely, then appropriately insert the fiber.
Cut the excess fiber with fiber cutter.

Interconnection

Mount each sensor on DIN rail and slide to interconnect one by one. Mount the End Plates at both ends.
* Up to 16 units can be interconnected.



Note

Confirm that Power supply is OFF while Installation.
Use DIN rail and End Plates (BEF-EB01-W190) for installation.
Confirm that environmental temperature is in specification. (refer a note *2 at "Specifications")
Install the protective cover at the end connector of slave unit.
Don't remove sensors from DIN rail while it's interconnected.
Remove the End plates, slide the sensor and remove one by one from DIN rail.

Display and Buttons

Switching display

Display shows as follows according to its mode

Operating (RUN mode)	Setup	Teaching
It shows as example when it's actually detecting object. It goes to this mode after power up. Ex.) 200 100 Sensing Threshold level	It switches to this Setup mode by pressing "MODE" button over 3 seconds. Ex.) l - - d l on Function Setup Value	It switches to this Teaching mode by pressing "TEACH" button over 3 seconds. Ex.) 2Pt 1Pt Mode of teaching

Buttons

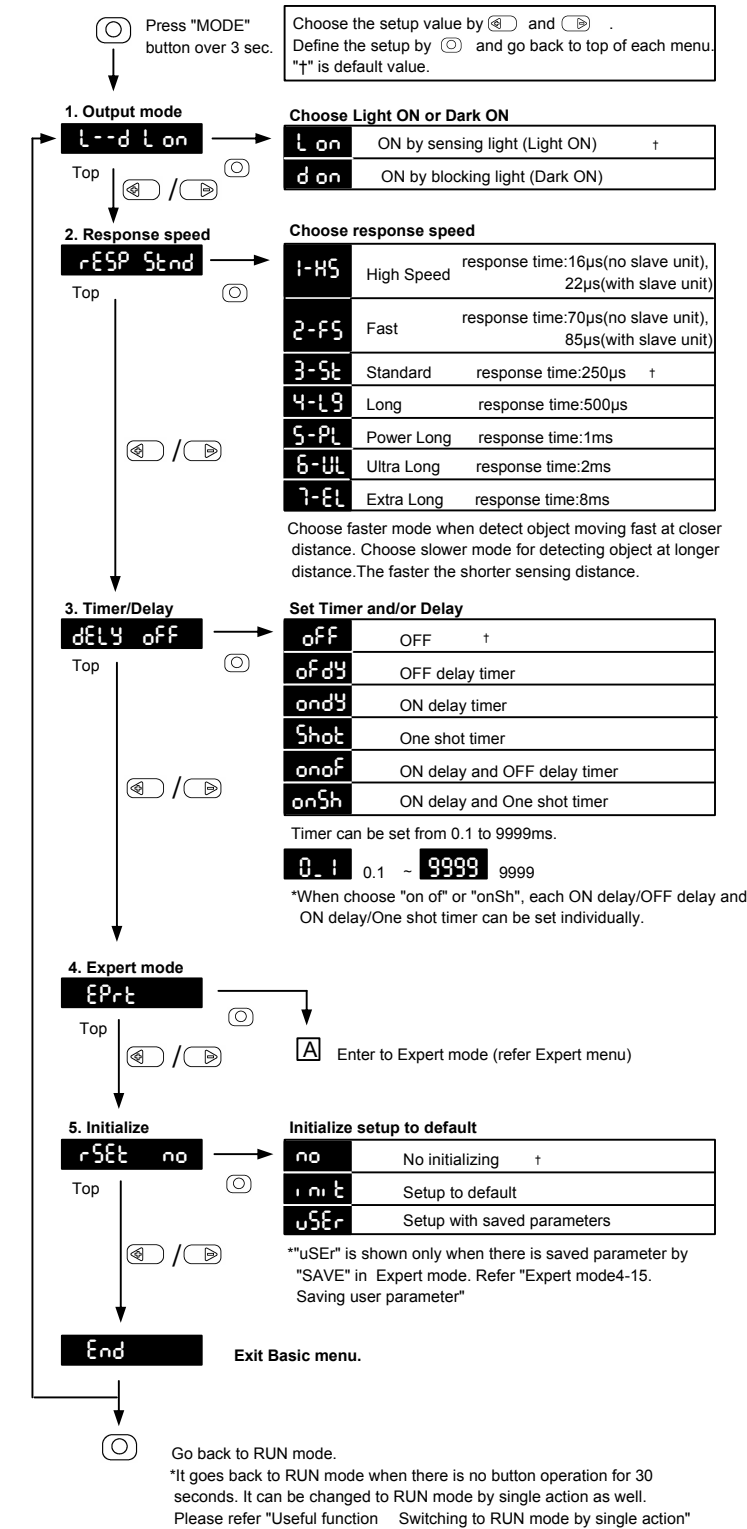
Buttons work as follows according to its mode

Buttons	Operating (RUN mode)	Setup / Teaching
Adjust (+ UP)	Increase threshold level	Change the Setup function and mode of Teaching
Adjust (- DOWN)	Decrease threshold level	
MODE	Switch to Setup mode	Set the setup
TEACHING	Switch to Teaching mode	Execute Teaching

Setup menu

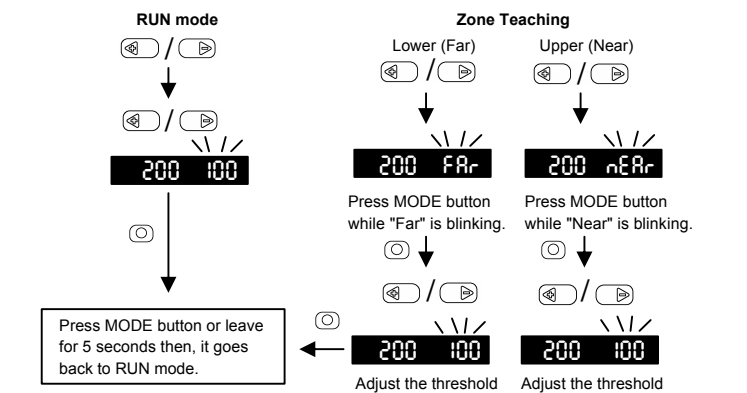
Basic menu		
These are basic menu that to be setup before using. Please refer Expert menu for further setup function.		
Display	Menu	Function
l - - d	Output mode	Switch Light ON and Dark ON
rESP	Response speed	Set response speed
dELY	Timer/Delay	Set Timer and Delay
EPrt	Expert mode	Enter to Expert mode (refer Expert menu)
rSEt	Initialize	Initialize setup to default
End	Exit	Exit setup mode
Expert menu		
These are menu for function that setup in detail. Expert menu is available from "EPrt" in Basic menu.		
Display	Menu	Function
0-5t	Zero reset	Set main display to 0 (zero).
d.SP	Display mode	Set display mode for operating (RUN mode)
Eco	Eco mode	Set Eco mode
turn	Rotation	Rotate the display 180 degree
HYS	Hysteresis	Specify hysteresis percentage
PrCS	Detection mode	Set detection mode (edge/level)
cnt	Counter	Switch ON/OFF Counter and specify UP/DOWN direction
inPt	External input	Set function of external input
coPY	Copy setup	Copy setup to sensors interconnected
AL 0	All Zero Clear/Reset	Set all display of sensors interconnected to Zero "0"
Atch	All Teaching	Execute Teaching on every sensor interconnected
ASC	ASC	Set ON/OFF ASC (Automatic Sensitivity Control)
SPor	Emitter Power	Specify Emitter power
LoCL	Lock level	Specify level of Key Lock
SAVE	Save	Save the current setup
End EPrt	Exit	Exit expert menu
Teaching menu		
Threshold level can be set by these menu. Please refer "Teaching".		
Display	Menu	Function
2Pt	2 Point Teaching	Set the threshold at the center between with object and without object.
1Pt	1 Point Teaching	Set the threshold at minimum level that can detect object stably with.
thru	Through Teaching	Set the threshold at around 90% of sensing level without object for through beam application.
Zone	Zone Teaching	Set the threshold at around sensing level ± 10%.
Auto	Automatic Teaching	Set the threshold at the center between maximum and minimum level.
P-t	Percent Teaching	Threshold can be set any percentage.
0P-t	Zero % Teaching	Set the threshold at any percentage and execute zero reset.
End tEch	End of Teaching	Exit Teaching mode.
Loc	Lock	Lock buttons (refer useful function)

Basic setup



Setup Threshold manually

At RUN mode, press or then, threshold display blinks that shows it can be adjusted. Adjust the threshold by or . You can adjust upper and lower threshold when it's Zone Teaching mode.



Teaching

Press TEACH button for 3 seconds.

Choose Teaching mode by pressing **2Pt** or **1Pt**. Then, press **TEACH** to confirm. When Teaching is done, it goes back to RUN mode after the threshold blinks. You can refer current sensing level by pressing MODE while teaching.

1. 2 point Teaching

2Pt 1Pt

Press TEACH

1st

Diffuse reflective

2nd

2Pt 250

With object to detect

Without object

Teach twice with object and without object.

2. 1 point Teaching (1)

1Pt 250

Press TEACH

Thru-beam

Diffuse reflective

With object to detect

Without object and background

Good for long distance

3. 1 point Teaching (2)

1Pt 250

Press TEACH

Diffuse reflective

Without object and with background

Teaching with only background for diffuse reflective mode. Threshold is set at minimum level that enable stable detection.

4. Through Teaching

Thru 250

Press TEACH

Thru-beam

Reflective

V-42 reflector

Without object

Without object and with reflector

Threshold is set at around 90% of sensing level. Good for detecting transparent object like Glass and Film.

5. Zone Teaching

Zone 250

Press TEACH

Diffuse reflective

Threshold

Near Upper +10%

Lower Far -10%

Zone

Teaching to be done with object or with only background. *When Zone teaching is done with only background, threshold level will be set at around +/- 10% from the background.

6. Automatic Teaching

Auto Start

Press TEACH

Auto Stop

Press TEACH

Auto 250

Diffuse reflective

Thru-beam

Teaching is executed while object is moving on the production line.

7. Percent Teaching

P-t 90

Press TEACH

P-t 90

Adjust percentage

P-t 85

Press TEACH

Teaching

100 85

Thru-beam

Without object

You can set threshold at any percentage adjusted. By setting sensing level without object that block the beam as 100%, it can detect the level as relative percentage level. Re-Teaching can be done by single button action while RUN mode. Refer "Useful function Fitting in".

8. Zero percent Teaching

OP-t 10

Press TEACH

OP-t 10

Adjust percentage

OP-t 15

Press TEACH

Teaching

0 15

Diffuse reflective

Without object and with background

Set any percentage adjusted to 0% as threshold. For diffuse reflective mode, set the sensing level with only background 0% and detect the level as relative percentage level. Re-Teaching can be done by single button action while RUN mode. Refer "Useful function Fitting in".

Exit the Teaching mode

By pressing TEACH button, it goes back to RUN mode.

Expert mode

Setup parameters for further function.

From A "Basic menu"

Choose the setup value by **←** and **→**. Define the setup by **⏏** and go back to top of each menu. "*" is default value.

4-1.Zero reset

0-rSt off

Top

off No action †

on Reset the main display

Reset the sensing level shown on the main display to zero and shift the threshold shown on the sub display as much as the main display shifted. This function is not active when percent mode and edge detection mode.

4-2.Display mode

d.SP d.9

Top

d.9 Digital mode † Ex.) 200 220

Sensing level Threshold

bAr Bar display mode Ex.) 11111

Bar increases according to sensing level from right

Pct Percent mode Ex.) 100. 110.

"_" means it's percentage Sensing level Threshold 100% 110%

Choose display mode from following three

4-3.Eco mode

Eco off

Top

off No action †

d.SP Power off sub display (green) and darken main display (red).

rESP Double emitting cycle. Actual response time will be doubled as well.

ALL Power off sub display, darken main display and double emitting cycle. Actual response time will be doubled as well. Brightness of the display will be changed 20 seconds after the setup.

Set Eco mode

Current consumption of "Eco ALL" will be 30% less than "Eco OFF".

4-4.Rotation

turn off

Top

off No action † Ex.) turn off

on Rotate the display Ex.) 111111

Rotate the display 180 degree

This is effective when you have to mount the sensor opposite direction.

4-5.Hysteresis

HYS P S

Top

P S † Set from 1% to 40%

P 1 ~ P 40

1% 40%

Set the hysteresis according to the condition. When it's unstable because of chattering, set bigger percentage. When to detect slight difference, set smaller percentage.

4-6.Detection mode

PreS Stnd

Top

Stnd Detect by sensing level †

hd_f Detect UP edge

hd_l Detect Down edge

d.FF Differential mode

Set filter level for edge detection

F.Ft 1000 1,000 Hz † Faster

F.Ft 200 200 Hz

F.Ft 50 50 Hz

F.Ft 20 20 Hz

F.Ft 5 5 Hz Slower

speed of edge detection

Edge detection mode:

Detect changes of sensing level in a certain period. "Detect UP edge" : Detect the sensing level increasing "Detect Down edge" : Detect the sensing level decreasing *Only Automatic Teaching can be executed when edge detection is activated. *Percent display mode is unavailable when edge detection is activated. * Only CH1 can be set Edge detection for the 2 output type (D3RF-TDM/S). *Hysteresis will be fixed to 1% when Edge detection is active. *Edge detection won't work correctly when the sensing level is saturated or there is no light received. *Filter to be "Slower" to detect sensing level that swings slower. Differential mode: It detects difference of sensing level from the sensor unit next to it at master side. The display shows "1024" when sensing levels are same. When the sensing level is smaller than the sensor unit at master side, the display shows smaller value than "1024". When its bigger, the display shows bigger value than "1024". * Differential mode is available only for the slave unit (D3RF-TS/TDS).

4-7.Counter

cnt off

Top

off Counter OFF †

upc Set counting direction UP

dnc Set counting direction DOWN

Switch ON/OFF Counter and specify UP/DOWN direction

Choose the setup value by **←** and **→**. Define the setup by **⏏** and go back to top of each menu. "*" is default value.

Set counter value from 2 to 9999 *This function is only for "ch2" of the 2 output type (D3RF-TDM/S). *Threshold of CH1 is used for this function so please change to CH1 when you set threshold.

4-8.External input

inPt rctch

Top

rctch External Teaching †

tESt Emitting OFF input

Sync Synchronous input (hold the output)

crSt Counter reset

Atch Set Teaching input for all sensor units

Set function of external input

**crSt" is available only on the 2 output type (D3RF-TDM/S) **Atch" is available only on the master unit (D3RF-TM/TDM)

4-9.Copy setup

copy no

Top

no No action †

YES Copy the setup

Copy the master setup to other slave units

* "Copy setup" is available only on the master unit (D3RF-TM/TDM) * The setup of slave unit that is locked by "Key Lock" function won't be changed.

4-10.All Zero Clear/Reset

AL 0 no

Top

no No action †

clr Standard mode

YES Reset display to Zero "0"

Reset the displays of sensor units interconnected to Zero "0"

The displays of master unit and other slave units interconnected will be reset to Zero "0". The reset functionality is same as "4-1.Zero reset". * "All Zero Clear/Reset" is available only on the master unit (D3RF-TM/TDM). * The display of slave unit that is locked as "Lock level 1" won't be changed.

4-11.All Teaching

Atch no

Top

no No action †

YES Execute All Teaching

Execute Teaching on every sensor interconnected

Teaching mode of each sensor unit can be independently set. When one of the master unit and slave units is set as 2 point Teaching, the display of the master unit shows "Atch 2Pt" so press MODE button **⏏** for 2nd Teaching. * The Teaching for the slave unit locked as "Lock level 1" by "Key Lock" function will be inactive. * "All Teaching" is available only on the master unit (D3RF-TM/TDM)

4-12.ASC

Asc off

Top

off ASC OFF †

on Correction speed : Standard

FAST Correction speed : Fast

H.9h Correction speed : Fastest

Set ON/OFF ASC (Automatic Sensitivity Control)

ASC: Adjust the threshold according to sensing level that is affected by environmental condition automatically. It corrects the threshold even when the sensing level changes quickly by cleaning up contamination. This is only for Through Teaching and Percent Teaching. *Edge detection is unavailable when ASC is active. *ASC is not available after Zone Teaching is executed. *ASC is not available on CH2 output.

4-13.Emitter power

SPor 1111

Top

1111 Maximum †

111 Three power level can be chosen

11 Minimum

Specify emitter power

Normally, maximum level is OK. Please lower the emitter power when sensing level is saturated.

4-14.Lock level

Lock L 1

Top

L 1 Lock level 1 †

Lock whole Keys (buttons)

L 2 Lock level 2

Lock Keys except Teaching button and buttons for switching percent display and standard level display. Only channel of the 2 output type (D3RF-TDM/S) can be changed.

Specify level of Key Lock

You can Lock buttons actually by pressing **⏏** **⏏** 3 seconds at a time. *External inputs are active on any Lock level.

4-15.Save

SAve no

Top

no No action †

YES Save the current setup

Save the current setup parameters

Exit Expert menu

Go to top of Expert menu

Note Some menu won't be shown depends on the setup. It's not a malfunction. *Time of pressing buttons to activate not specified on this manual is 0.3 seconds. *When the parameter value is ready to set, sub display will blink. *Following parameters of the 2 output type (D3RF-TDM/S) can be specified individually for Output 1 (ch1) and Output 2 (ch2). Other parameters are specified commonly. Threshold, Output mode, Timer and its value, Teaching menu

Useful function

Switch channel (only for the 2 output type D3RF-TDM/S)

Press **⏏** button then, the channel number will be blinking and switch to the channel.

200 250 → ch2 → 200 100

CH1 display CH2

200 250 → ch1 → 200 100

CH1 CH2 display

Threshold of CH2 will be copied to CH1 under following condition after external teaching. This is useful when you want to set single threshold level to both CH1 and CH2. - ASC and Edge detection are inactive. - Teaching mode of CH1 is same as CH2. - Display is showing level of CH2. *You can switch channel from any setup menu.

Key Lock

Make the buttons unavailable to prevent operation mistake. Press **⏏** **⏏** for 3 seconds to Lock buttons at a time while RUN mode. Do same to cancel it.

Locked Released

Loc unlc

You can choose a Lock level from two in "Expert mode 4-14.Lock level".

Switching to RUN mode by single action

By pressing **⏏** button for 3 seconds in setup menu while sub display is not blinking.

Switching to percent display by single action

Press **←** and **→** buttons at a time then, the display switches to percent display.

Sensing level Percent display

5000 4500 ↔ 100. 90.

Fitting in (set sensing level to "100%" "0%")

When "Percent Teaching" or "Zero % Teaching" is chosen in Teaching menu, you can set the sensing level to "100%" or "0%" by pressing **←** and **→** buttons at a time. This is effective when detection get unstable.

Before Fitting After Fitting

90. 85. → 100. 85.

Error

Following are error messages when error occurred while Teaching. Please try again accordingly.

Err 1	Sensing level is not enough
Err 2	Sensing level is saturated
Err 3	Difference of sensing level between two points

Option

End unit

BEF-EB01-W190 (2 pieces)

Specification is subject to change without notice. Please contact following when you had any problems and questions regarding to this products.

Manufactured and sold by :

OPTEX FA CO., LTD.

600-8815 Kyoto, Shimogyo, Awata Chudoji 93, Japan

TEL. +81-(0)75-325-2920 FAX. +81-(0)75-325-2921

Website: <http://www.optex-fa.com>

Teaching

Press TEACH button for 3 seconds.
Choose Teaching mode by pressing or . Then, press to confirm. When Teaching is done, it goes back to RUN mode after the threshold blinks. You can refer current sensing level by pressing MODE while teaching.

1. 2 point Teaching
Top
Threshold is set at center of 1st and 2nd level.
Teach twice with object and without object.

2. 1 point Teaching (1)
Top
Threshold is set at minimum level that enable stable detection.
Good for long distance

3. 1 point Teaching (2)
Top
Teaching with only background for diffuse reflective mode. Threshold is set at minimum level that enable stable detection.

4. Through Teaching
To
Threshold is set at around 90% of sensing level.
Good for detecting transparent object like Glass and Film.

5. Zone Teaching
To
Threshold is set at around sensing level $\pm 10\%$.
Good for detecting object in the area specified.

6. Automatic Teaching
Top
Threshold is set at the center between maximum and minimum level. Good for teaching without stopping production line.

7. Percent Teaching
Top
You can set threshold at any percentage adjusted.
By setting sensing level without object that block the beam as 100%, it can detect the level as relative percentage level.
Re-Teaching can be done by single button action while RUN mode. Refer "Useful function Fitting in".

8. Zero percent Teaching
Top
Set any percentage adjusted to 0% as threshold.
For diffuse reflective mode, set the sensing level with only background 0% and detect the level as relative percentage level.
Re-Teaching can be done by single button action while RUN mode. Refer "Useful function Fitting in".

Exit the Teaching mode
 By pressing TEACH button, it goes back to RUN mode.

Expert mode

Setup parameters for further function.

4-1. Zero reset
Top
Reset the sensing level shown on the main display to zero and shift the threshold shown on the sub display as much as the main display shifted. This function is not active when percent mode and edge detection mode.

4-2. Display mode
Top
Choose display mode from following three

4-3. Eco mode
Top
Set Eco mode

4-4. Rotation
Top
Rotate the display 180 degree

4-5. Hysteresis
Top
Set Hysteresis percentage

4-6. Detection mode
Top
Set Detection mode

Set filter level for edge detection

Edge detection mode:
Detect changes of sensing level in a certain period.
"Detect UP edge" : Detect the sensing level increasing
"Detect Down edge" : Detect the sensing level decreasing
*Only Automatic Teaching can be executed when edge detection is activated.
*Percent display mode is unavailable when edge detection is activated.
*Only CH1 can be set Edge detection for the 2 output type (D3RF-TD).
*Hysteresis will be fixed to 1% when Edge detection is active.
*Edge detection won't work correctly when the sensing level is saturated or there is no light received.
*Filter to be "Slower" to detect sensing level that swings slower.

4-7. Counter
Top
Switch ON/OFF Counter and specify UP/DOWN direction

4-8. External input
Top
Set function of external input

4-9. ASC
Top
Set ON/OFF ASC (Automatic Sensitivity control)

4-10. Emitter power
Top
Specify emitter power

4-11. Lock level
Top
Specify level of Key Lock

4-12. Save
Top
Save the current setup parameters

Exit Expert menu

Go to top of Expert menu

Note Some menu won't be shown depends on the setup. It's not a malfunction.
*Time of pressing buttons to activate not specified on this manual is 0.3 seconds.
*When the parameter value is ready to set, sub display will blink.
*Following parameters of the 2 output type (D3RF-TD) can be specified individually for Output 1 (ch1) and Output 2 (ch2). Other parameters are specified commonly.
Threshold, Output mode, Timer and its value, Teaching menu

Useful function

Switch channel (only for the 2 output type D3RF-TD)
Press button then, the channel number will be blinking and switch to the channel.

Threshold of CH2 will be copied to CH1 under following condition after external teaching. This is useful when you want to set single threshold level to both CH1 and CH2.
- ASC and Edge detection are inactive.
- Teaching mode of CH1 is same as CH2.
- Display is showing level of CH2.
*You can switch channel from any setup menu.

Key Lock
Make the buttons unavailable to prevent operation mistake.
Press for 3 seconds to Lock buttons at a time while RUN mode. Do same to cancel it..

You can choose a Lock level from two in "Expert mode 4-11.Lock level".

Switching to RUN mode by single action
By pressing button for 3 seconds in setup menu while sub display is not blinking.

Switching to percent display by single action
Press and buttons at a time then, the display switches to percent display.

You can setup this function at "Expert mode 4-2.Display mode" as well. Do same to get back to standard display mode.

Fitting in (set sensing level to "100%" / "0%")
When "Percent Teaching" or "Zero % Teaching" is chosen in Teaching menu, you can set the sensing level to "100%" or "0%" by pressing and buttons at a time. This is effective when detection get unstable.

Error

Following are error messages when error occurred while Teaching. Please try again accordingly.

Err 1	Sensing level is not enough
Err 2	Sensing level is saturated
Err 3	Difference of sensing level between two points

Option

End unit

BEF-EB01-W190 (2 pieces)

Specification is subject to change without notice.
Please contact following when you had any problems and questions regarding to this products.

Manufactured and sold by :
OPTEX FA CO., LTD.

600-8815 Kyoto, Shimogyo, Awata Chudoji 93, Japan
TEL. +81-(0)75-325-2920 FAX. +81-(0)75-325-2921

Website: <http://www.optex-fa.com>