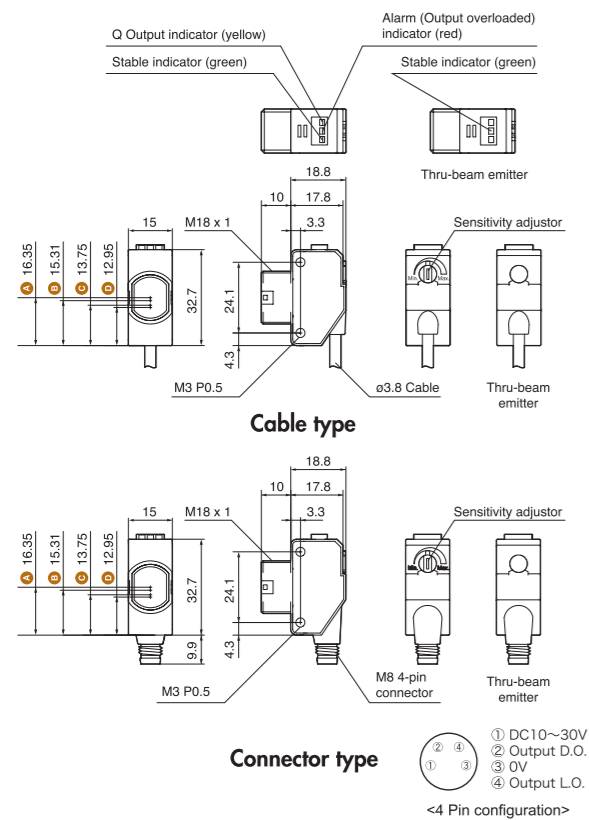
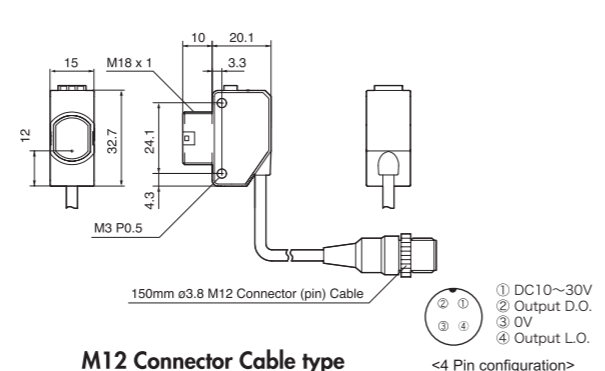
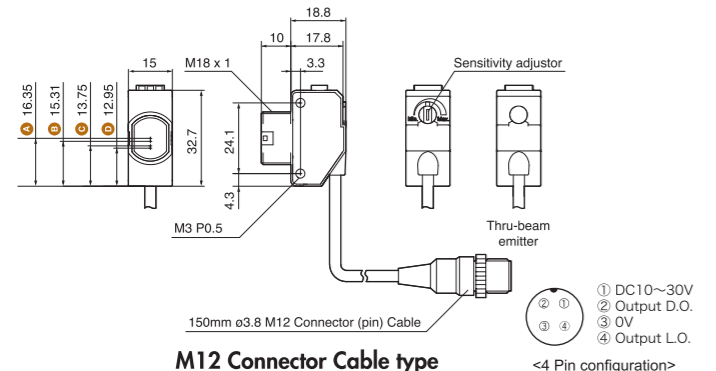
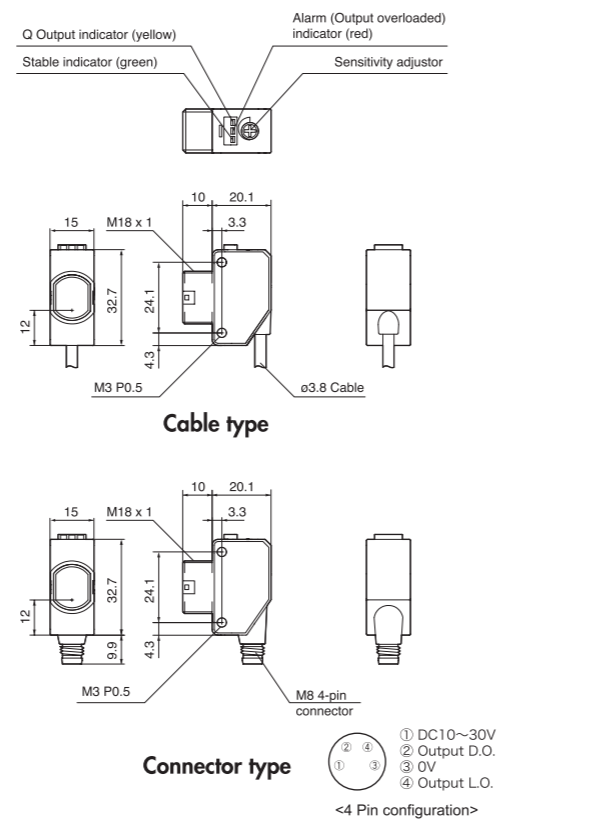


Dimensions (mm)

General Use Types except BGS



BGS Types

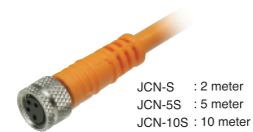


- A** Thru-beam type
- B** Convergent Beam short range type
- C** Convergent Beam standard range type
- D** Retro-reflective / Diffuse reflective type



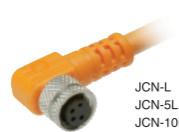
Options

JCN-S : M8 Straight type



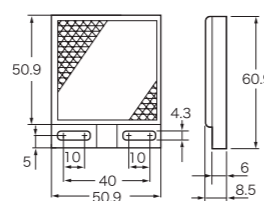
JCN-S : 2 meter
JCN-SS : 5 meter
JCN-10S : 10 meter

JCN-L : L-shape M8 type

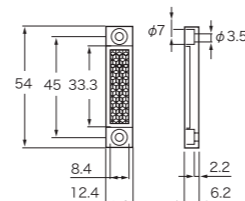


JCN-L : 2 meter
JCN-5L : 5 meter
JCN-10L : 10 meter

V-61 for YR-140



P45A for YR-Q39



Easy Mount Photosensor
Y Series

Thru-Beam Type
YT-1180 series

Diffuse Reflective Type
YD-15 series

Retro Reflective Type
YR-140 series

Glass Sensing Type
YR-Q39 series

Convergent Type
YD-L1 series (close focus)
YD-L2 series (regular focus)

BGS Type
BGS-Y8 series



Complete selection of sensing types including
BGS and Transparent Object Detection.

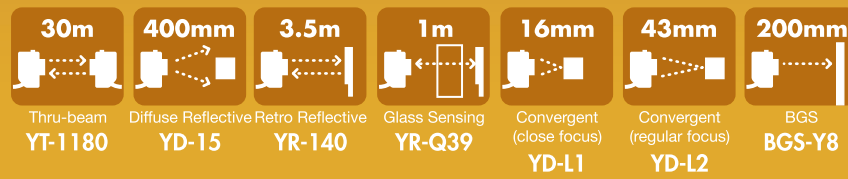
Compact and Easy Mounting.

The Y Series offers a complete selection of sensors to solve any application.



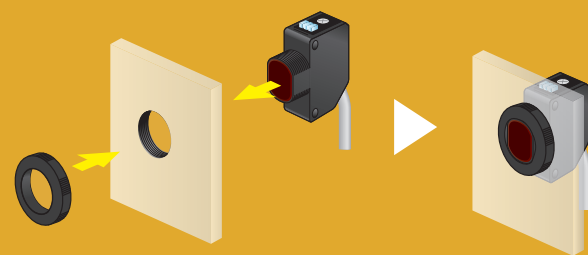
Wide Selection

The Y series is offered with seven different models. Thru-beam, Diffuse, Retro-reflective, Transparent object detection, Convergent Beam (two types) and BGS (Background suppression). There is a model for use in almost any application.



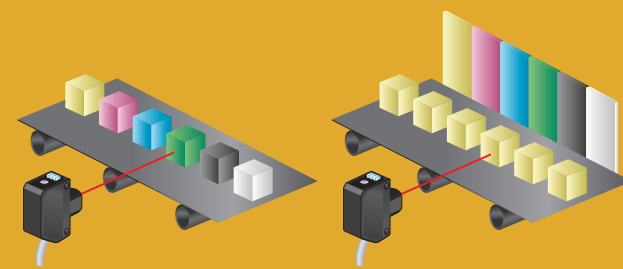
M18 Threaded Front Mounting

The sensor can be easily mounted by inserting into an 18 mm opening. There are also conventional mounting holes in the sensor body for added flexibility.



BGS Sensing

BGS (Background Suppression) sensors are not influenced by the color or texture of the target, the sensor is also able to ignore changes in the background.



Pig-tail Connector

M12 pig-tail type are available for easy maintenance.



Stable Sensing Even For Plastic/Glass

The YR-Q series was designed for the detection of transparent targets. These are ideally suited for clear plastic and glass bottle applications.

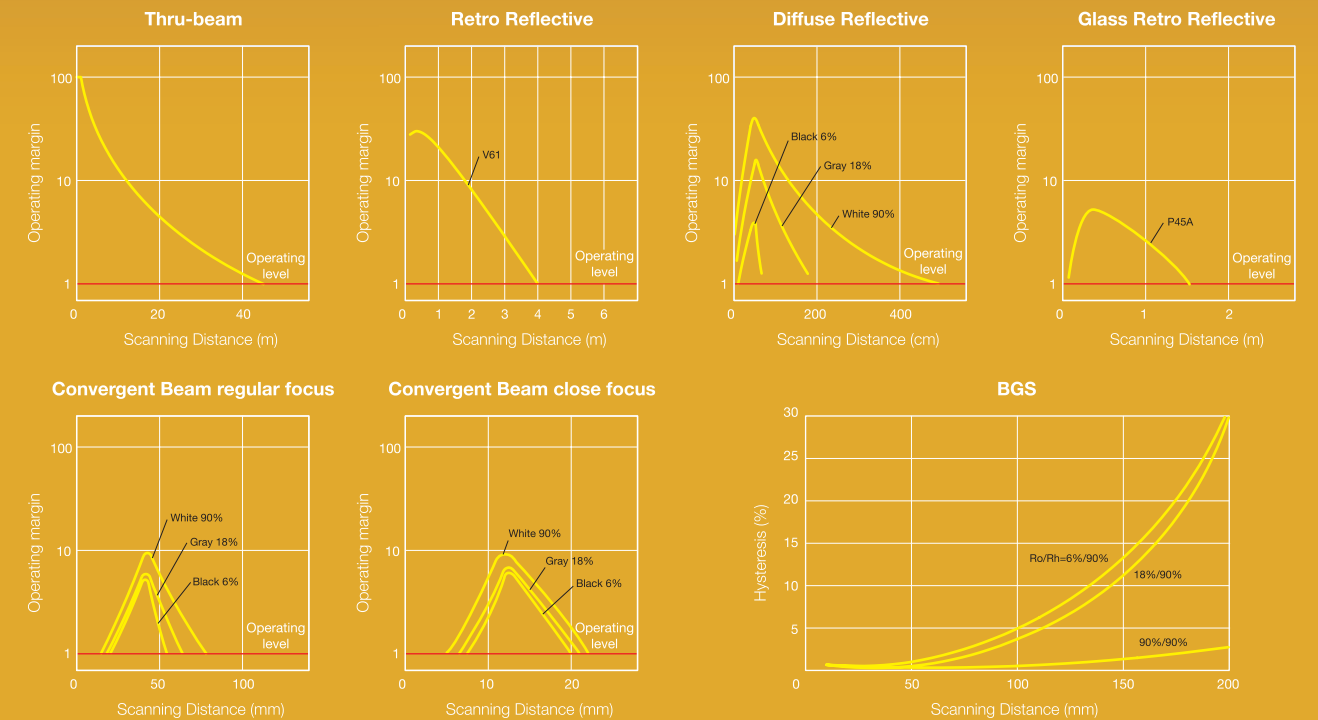


Rugged Waterproof Construction

The sensor has an IP67 rating. It is ideal for use in applications where it may be exposed to water spray.



Technical Data



Specifications

Model (NPN / PNP different model)	Thru-Beam	Diffuse reflective	Polarized Retro-reflective	Retro - Glass	Convergent Beam		BGS
					close focus	regular focus	
2 meter (apprx 78inch) cable	YT-1180N / P	YD-15N / P	YR-140N / P	YR-Q39N / P	YD-L1N / P	YD-L2N / P	BGS-Y8N / P
M8 QD	YT-1180CN / CP	YD-15CN / 15CP	YR-140CN / CP	YR-Q39CN / CP	YD-L1CN / CP	YD-L2CN / CP	BGS-Y8CN / CP
M12 pig-tail	YT-1180N-M12 / P-M12	YD-15N-M12 / P-M12	YR-140N-M12 / P-M12	YR-Q39N-M12 / P-M12	YD-L1N-M12 / P-M12	YD-L2N-M12 / P-M12	BGS-Y8N-M12 / P-M12
Sensing range	30m (1180 inch)	0.4m (15.7 inch)	3.5m (140 inch)	1m (39.3 inch)	16mm (0.6 inch)	43mm (1.7 inch)	200mm (7.9 inch) Setting range : 30-200mm
Light source	Red LED (visible)						
Hysteresis	N/A	20% max.	N/A	N/A	10% max.	10% max.	5%
Response time	0.5msec						
Indicator	3 Indicators (green indicator only :Emitter of YT-480) Yellow: output Green: stable Red: alarm - overload						
Operating Mode	Light ON and Dark ON outputs provided						
Sensitivity adjustment	1turn potentiometer						4 turn potentiometer
Control output	NPN or PNP open collector, 100mA max. / 30VDC						
Shock resistance	100G , xyz three directions						
Environmental illuminance	Sunlight : 10,000 lux , Incandescent lamp : 3,000 lux max						
Ambient temperature	- 25°C to 55°C / 35 to 85% RH						
Storage temperature	-40 to 70 C / 35 to 90 % RH						
Supply voltage	10 - 30VDC incl. 10% ripple						
Power consumption	emitter:15mA max. 30mA max. receiver:20mA max.						
Conformity	CE, JIS/C4525,						
Circuit protection	Reverse polarity, transient voltages, Output overcurrent						
Housing materials	ABS with 20% glass (case), PMMA (lens)						
Protection category	IEC 144, IP67						

Specifications are subject to change without prior notice.