



RK 713

Retro-reflective photoelectric sensors

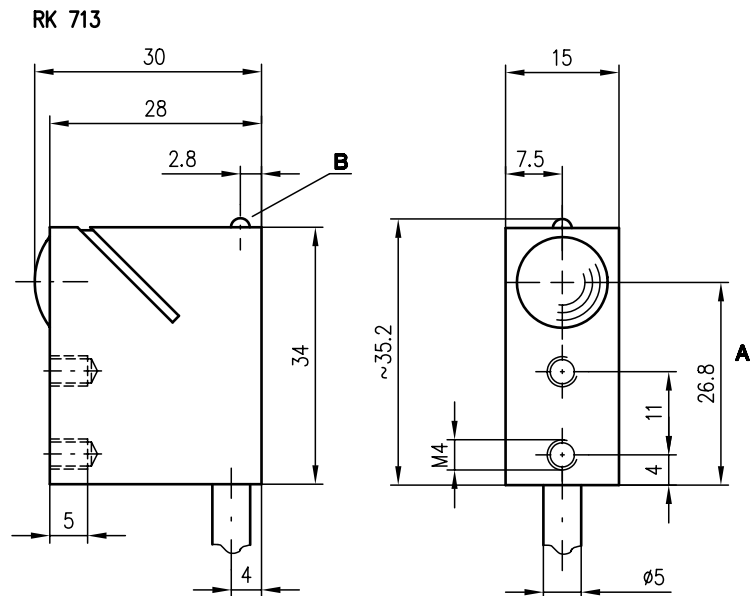


800mm

mini

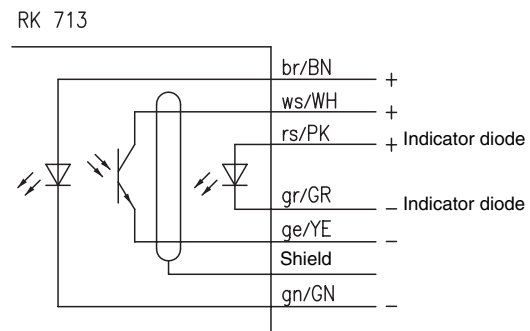
- Small construction volume enables application in small spaces
- Scratch resistant glass optics
- High insensitivity towards soiling and shocks
- Indicator diode as alignment aid and function indicator
- Through selection of appropriate amplifiers optimally adaptable to applications

Dimensioned drawing



- A Optical axis
- B Indicator diode

Electrical connection



ISO 9001



Accessories:

(available separately)

- Amplifier for mini photoelectric sensors, e.g.
 - VS 9/1 (Part No. 500 00632)
 - IVS 9/4.8 (Part No. 500 12303)
 - VS 27/24 (Part No. 500 82005)
 - IVS 28/44.8 (Part No. 500 19808)
- Reflectors
- Reflective tapes

We reserve the right to make changes • MS_b01e.fm



Specifications

Optical data

Operating range ¹⁾ 0 ... 800mm
 Light source LED (modulated light)
 Wavelength 880nm

Electrical data

Transmitter GaAs
 Transmitting current max. 200mA at D=0.05
 Receiver Si phototransistor
 Inverse voltage U_{CEO} max. 35VDC

Indicators

LED red reflection

Mechanical data

Housing aluminium red anodised
 Optics cover glass
 Weight approx. 90g
 Cable 2000mm
 Cable cross-section 6x0.14mm²+shield

Environmental data

Ambient temp. (operation/storage) -20°C ... +60°C/-30°C ... +70°C
 Protection class IP 65

1) The operating range depends on the choice and on the sensitivity adjustment of the respective amplifier

Tables

RK 713

Reflectors		Operating range
TK	100x100	0 ... 0.8m
TK	50x50	0 ... 0.7m
TK	82	0 ... 0.8m
TK	60	0 ... 0.4m
TK	45	0 ... 0.6m
TG	60	0 ... 0.5m
Tape 2	100x100	0 ... 0.35m

TK ... = adhesive
 TKS ... = screw type
 Tape 2 = adhesive

Order guide

Designation	Part No.
RK 713	500 00568

Remarks

- If a cable lengthening should be necessary, make sure that the shield is lead continuously.